



Datasheet

RS PRO 0.5m D9 Way Male to D9 Way Female Straight Through Cable

Stock number: 2369118

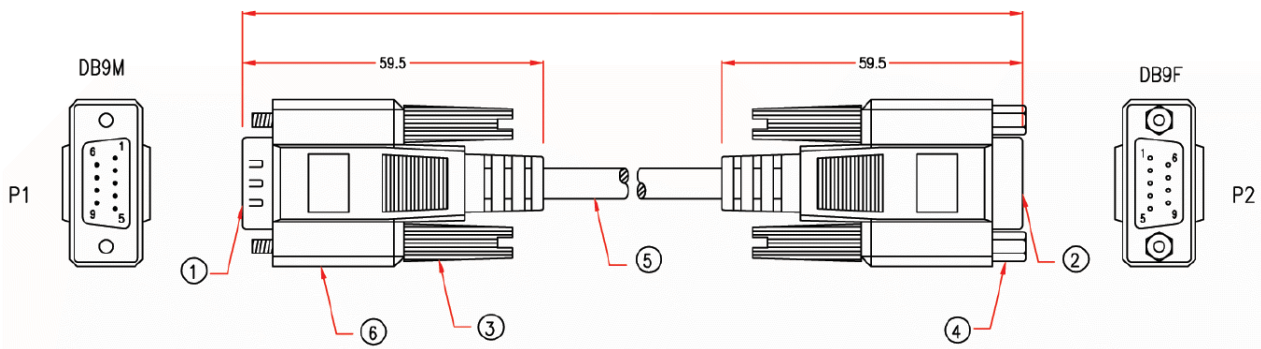
EN

Our RS PRO 0.5m D9 male to D9 female is wire pin to pin has a black PVC cable flex.

The connector hoods are made from grey PVC and have a strain relief on the end of the hood to support the cable and to stop the cable from splitting around the hood. The female connector also has hex nuts to secure the cable when connected.

The cable flex has an outer diameter of 5mm and 28awg, the connectors have gold flash pins to help stop corrosion.

The cable can be used to extend serial cables.



P1		P2
1	—————	1
2	—————	2
3	—————	3
4	—————	4
5	—————	5
6	—————	6
7	—————	7
8	—————	8
9	—————	9
SHIELD	—————	SHIELD

RoHS / REACH / CE / UKCA