

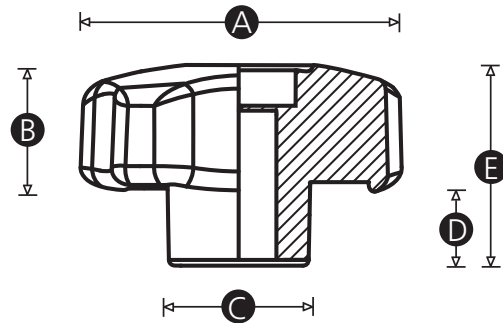


ENGLISH

## Datasheet

**Stock No.1883439,1883440,1883441,1883442,1883443,  
1883444,1883445,1883446**

## RS PRO Female Soft Touch Lobe Knob



### Material

Two-part mouldings - Inner moulding Polypropylene - Over moulded with 'Soft Touch' TPE

### Female insert material

Brass

### Standard colour

Black

### Cap colours

Available with caps in many different colours (MOQs apply).

Part No.	A	B	C	D	E	Thread size
1883439	28	16	12	10	26	M5
1883440	28	16	12	10	26	M6
1883441	40	17	18	12	29	M6
1883442	40	17	18	12	29	M8
1883443	50	19	21	12	31	M6
1883444	50	19	21	12	31	M8
	50	19	21	12	31	M10
1883445	60	21	23	13	34	M8
1883446	60	21	23	13	34	M10
	60	21	23	13	34	M12

## TPE MATERIAL

**PRODUCT:** TPE-39 Styrenic Thermoplastic Elastomer

**ORIGINATION:** China

### PHYSICAL PROPERTIES

<b>Term/Item</b>	<b>Unit</b>	<b>Value</b>
Density	kg/m <sup>3</sup>	1160
Tensile Strength	MPa	11
Elongation at break	%	470
Tear Strength	kN/m	30
Abrasion	mm <sup>3</sup> lost	190
100% Modulus	GPa	$8 \times 10^{-3}$
300% Modulus	GPa	$9 \times 10^{-3}$
Electrical Resistivity	$\Omega$ .cm	$8 \times 10^{15}$
Moulding Shrinkage	%	1.8
Water Absorption	%	0.05
Flammability	UL94	HB (1.5mm)