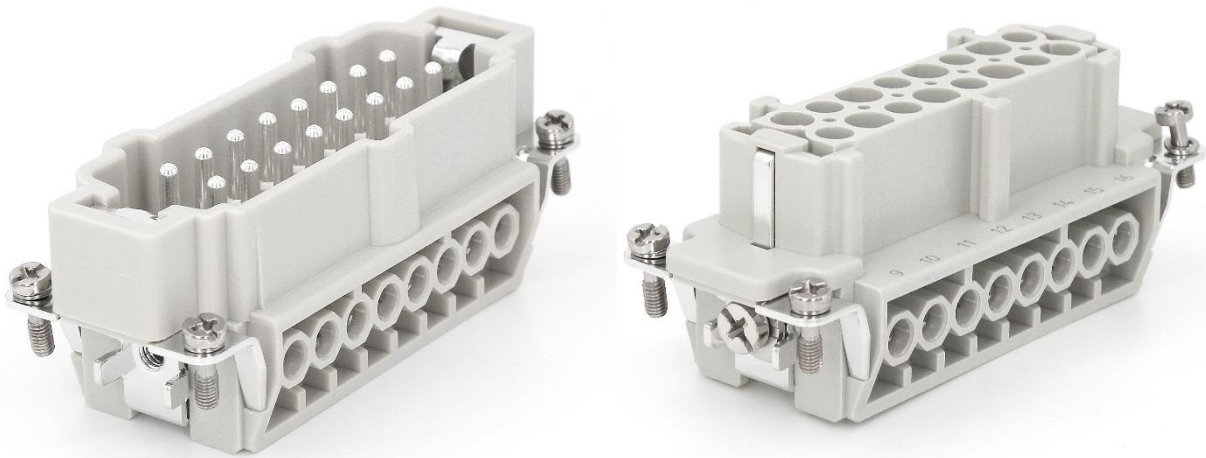


Datasheet

RS PRO RS-HE Standard Inserts



The RS PRO Heavy-Duty Connector series is a full range of heavy-duty inserts, housings, crimps and accessories. The inserts are all made from Polycarbonate to industry standard sizes and are available in a choice of screw, crimp or spring clam terminations in a large variety of current ratings. Modular inserts are also offered allowing for maximum versatility when designing a system. These connectors have been created for applications that are subjected to harsh environments or where high vibration can cause standard connectors to fail. This makes them ideal for food & beverage manufacturing, packaging machines, conveyor belt systems, railway, oil & gas processing and other industrial automation. The entire range of connectors are RoHS compliant and as with all RS PRO products, offer exceptional value for money.

Features & Benefits:

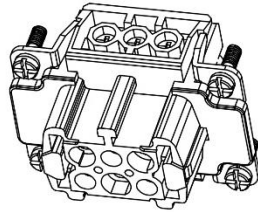
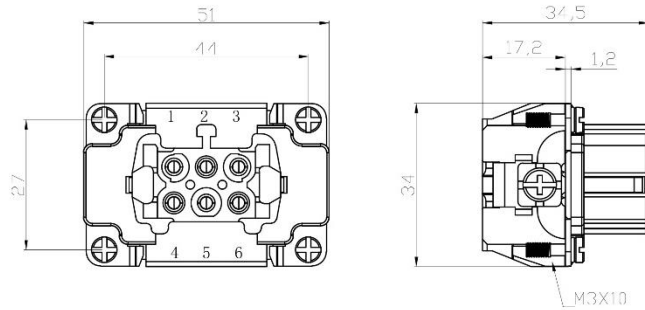
- Standard Inserts
- 6 to 48 Poles
- Crimp, Cage Clamp or Screw Termination
- Screw and Clamp AWG 26-14
- 16A, 500V
- For use with 16A crimps
- Polycarbonate Body

Quality Standards

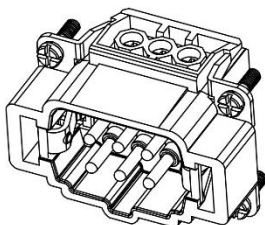
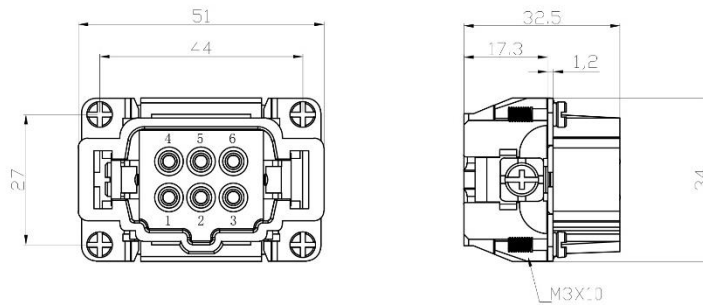


Dimensional line drawings

6 Pole Female Screw for RS PRO H6B series Housing 208-4486

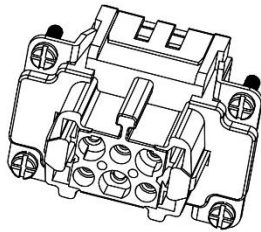
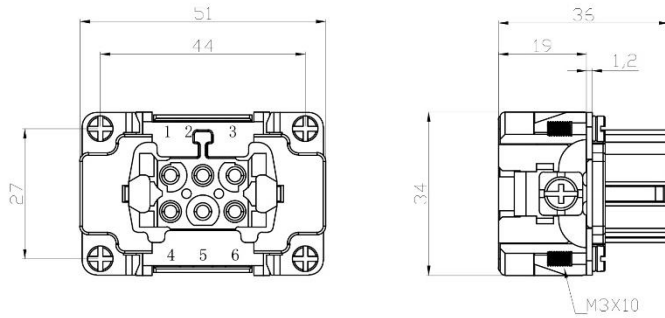


6 Pole Male Screw for RS PRO H6B series Housing 208-4489

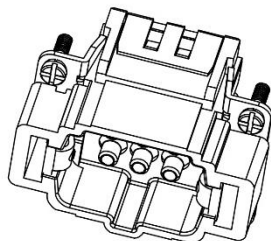
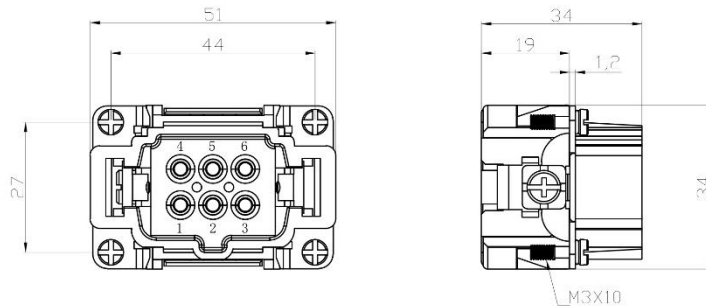


Dimensional line drawings

6 Pole Female Crimp for RS PRO H6B series Housing 208-4487

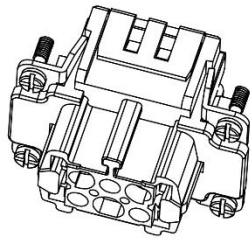
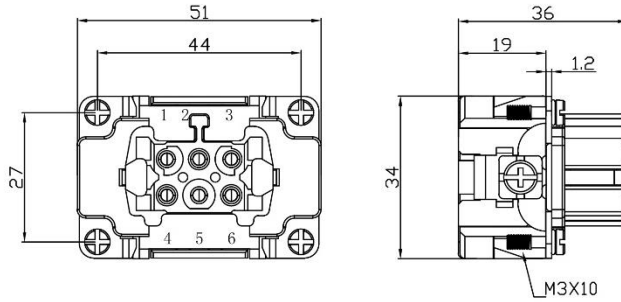


6 Pole Male Crimp for RS PRO H6B series Housing 208-4490

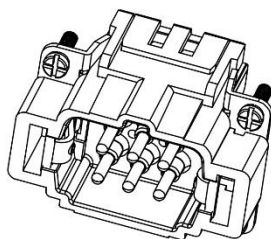
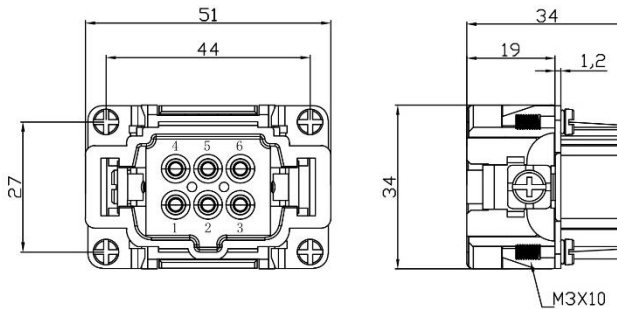


Dimensional line drawings

6 Pole Female Cage Clamp for RS PRO H6B series Housing 208-4488

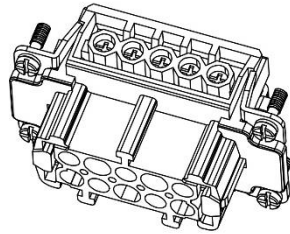
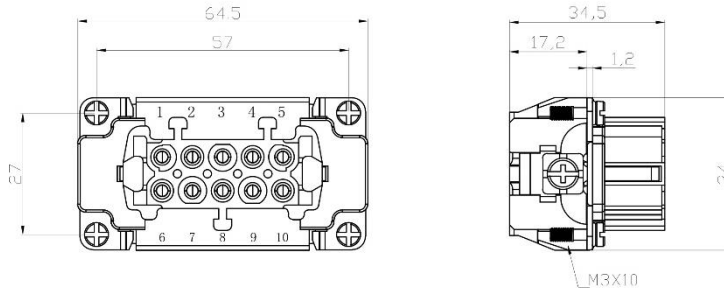


6 Pole Male Cage Clamp for RS PRO H6B series Housing 208-4491

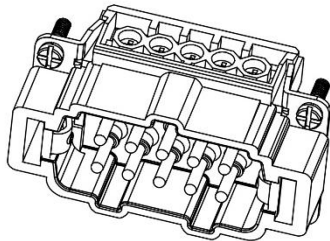
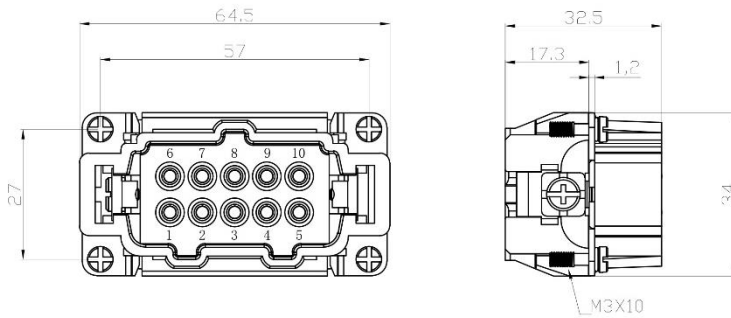


Dimensional line drawings

10 Pole Female Screw for RS PRO H10B series Housing 208-4492

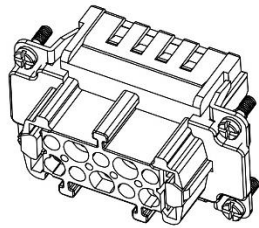
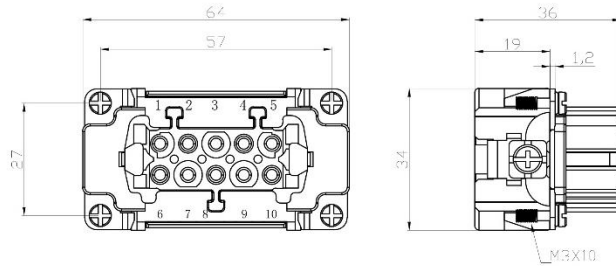


10 Pole Male Screw for RS PRO H10B series Housing 208-4495

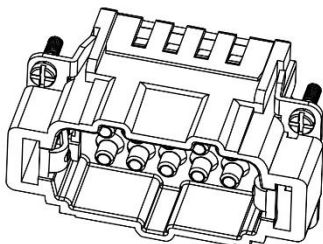
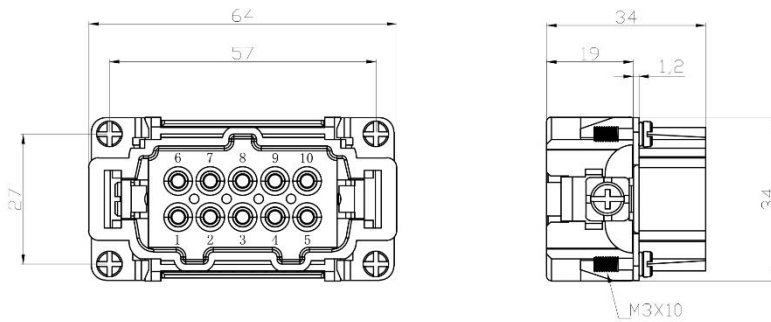


Dimensional line drawings

10 Pole Female Crimp for RS PRO H10B series Housing 208-4493

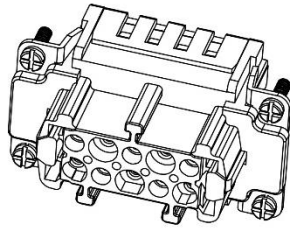
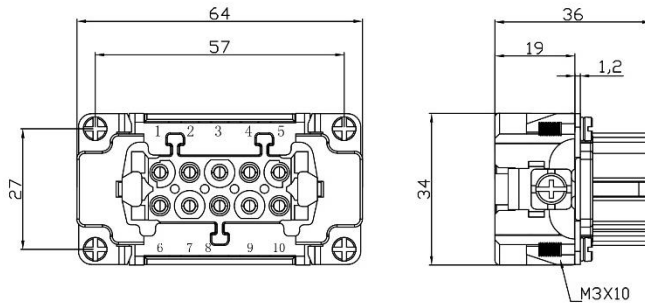


10 Pole Male Crimp for RS PRO H10B series Housing 208-4496

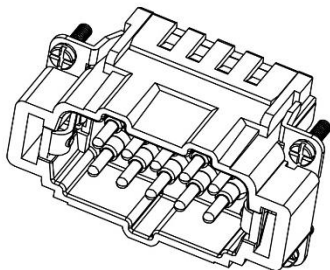
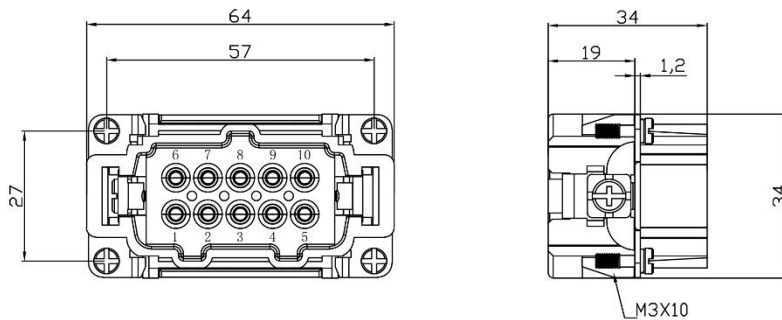


Dimensional line drawings

10 Pole Female Cage Clamp for RS PRO H10B series Housing 208-4494

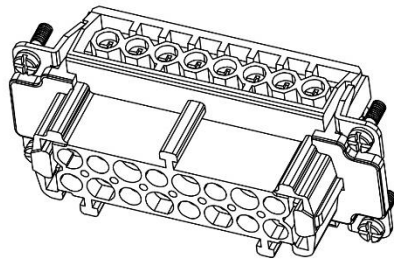
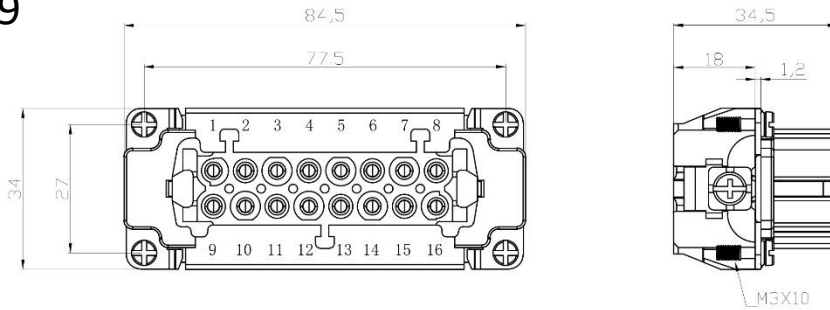


10 Pole Male Cage Clamp for RS PRO H10B series Housing 208-4497

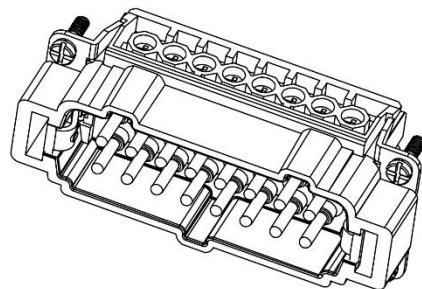
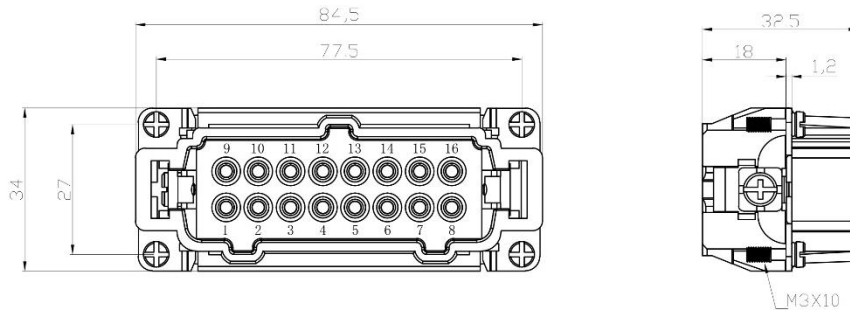


Dimensional line drawings

16 Pole Female Screw for RS PRO H16B series Housing 208-4499

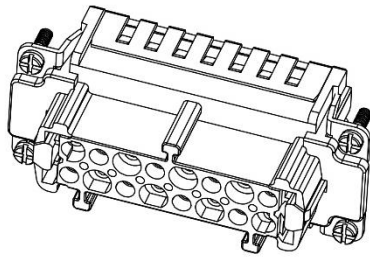
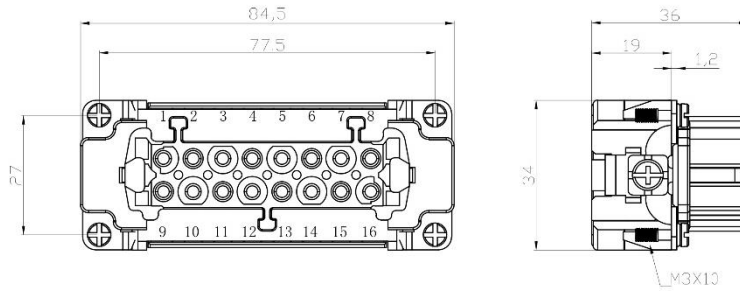


16 Pole Male Screw for RS PRO H16B series Housing 208-4502

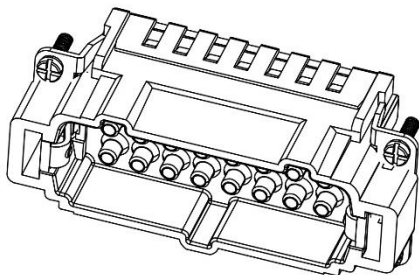
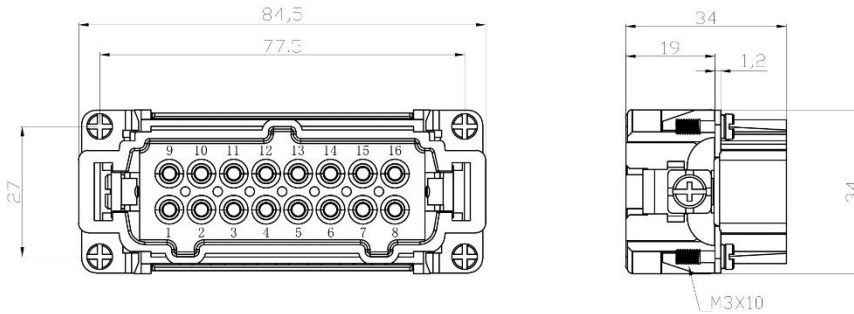


Dimensional line drawings

16 Pole Female Crimp for RS PRO H16B series Housing 208-4500

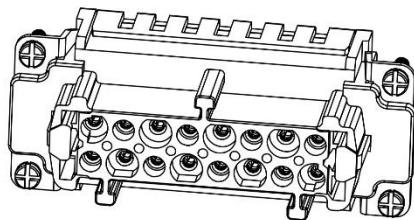
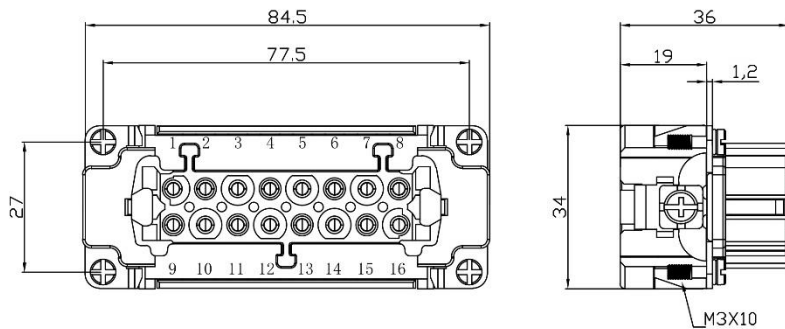


16 Pole Male Crimp for RS PRO H16B series Housing 208-4503

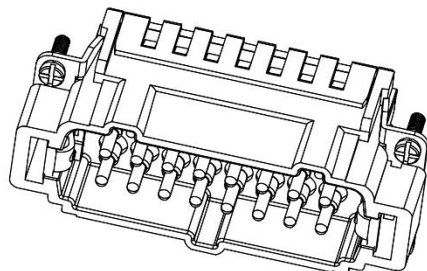
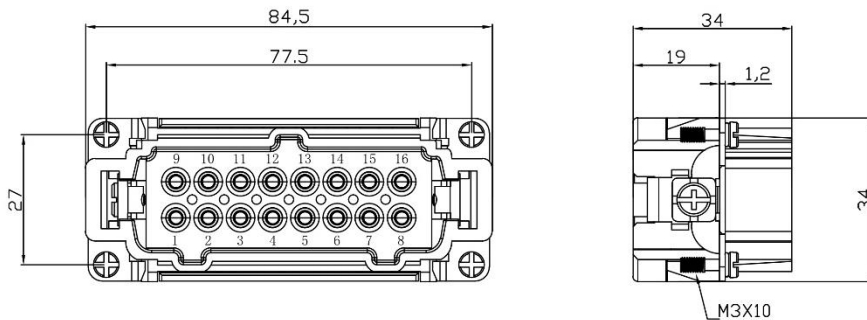


Dimensional line drawings

16 Pole Female Cage Clamp for RS PRO H16B series Housing 208-4501

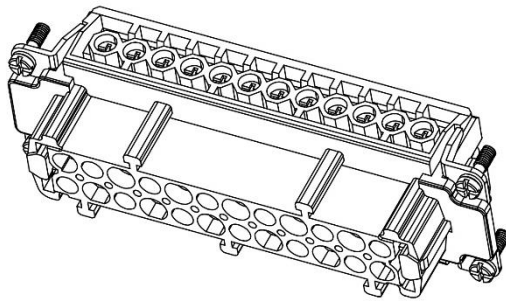
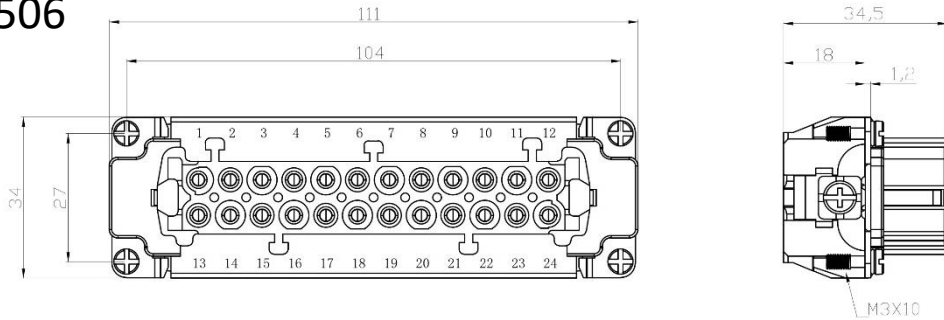


16 Pole Male Cage Clamp for RS PRO H16B series Housing 208-4504

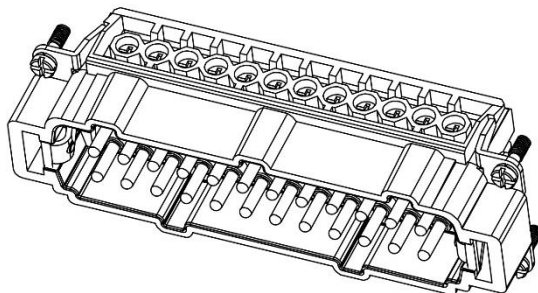
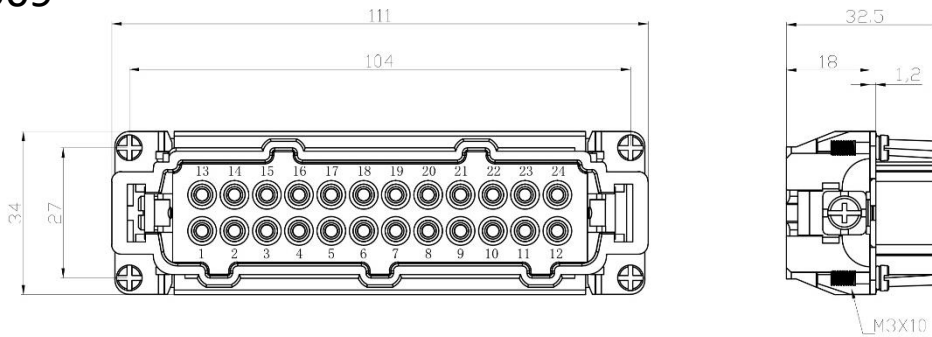


Dimensional line drawings

24 Pole Female Screw for RS PRO H24B series Housing 208-4506

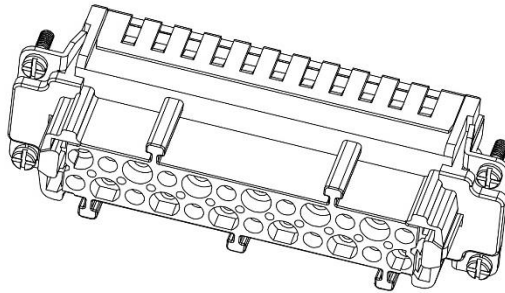
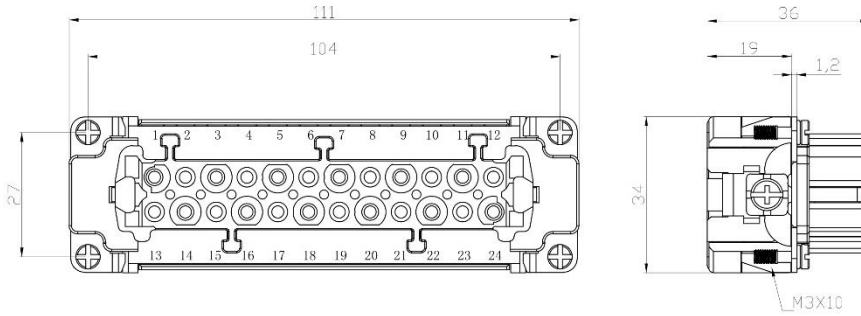


24 Pole Male Screw for RS PRO H24B series Housing 208-4509

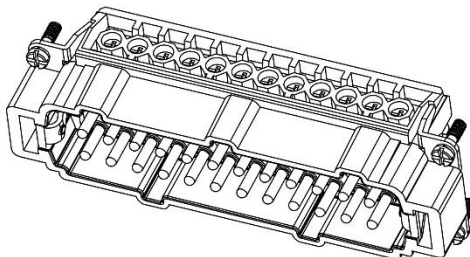
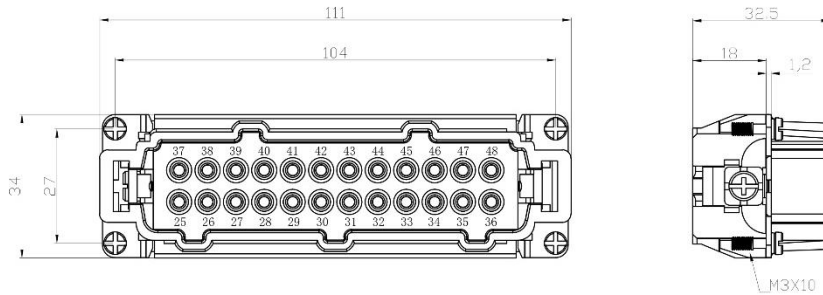


Dimensional line drawings

24 Pole Female Crimp for RS PRO H24B series Housing 208-4507

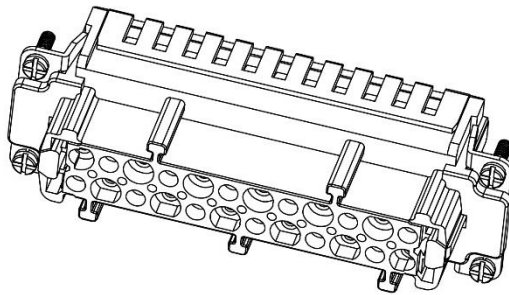
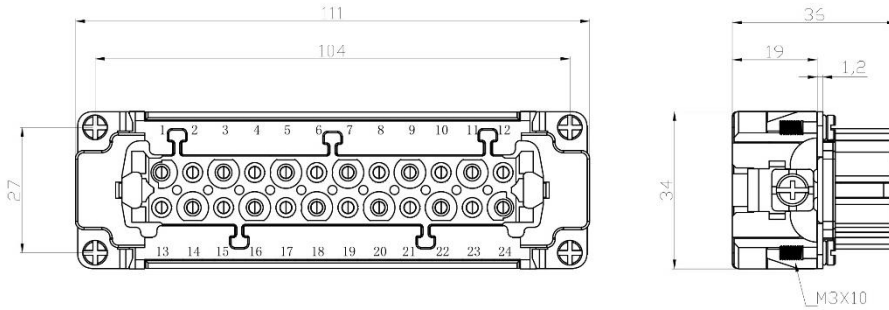


24 Pole Male Crimp for RS PRO H24B series Housing 208-4510

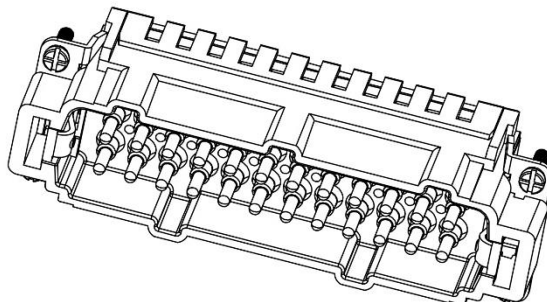
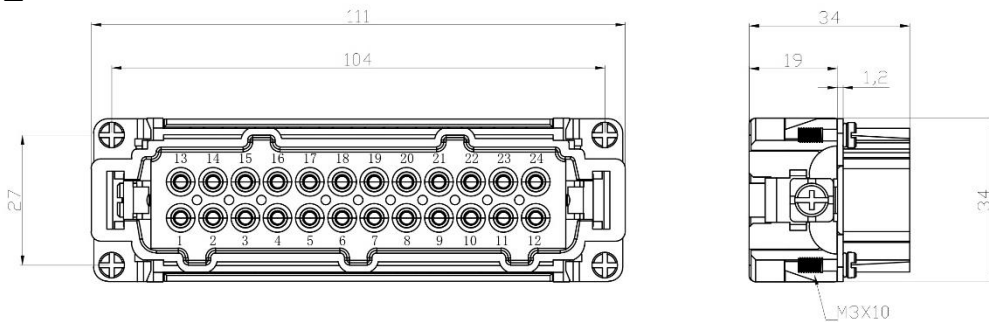


Dimensional line drawings

24 Pole Female Cage Clamp for RS PRO H24B series Housing 208-4508

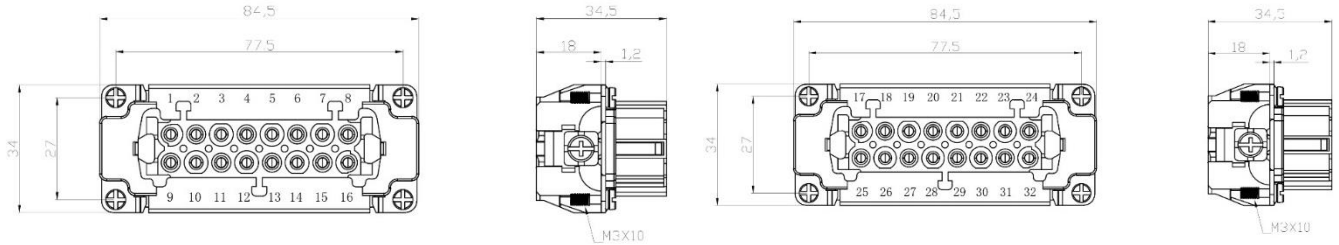


24 Pole Male Cage Clamp for RS PRO H24B series Housing 208-4512

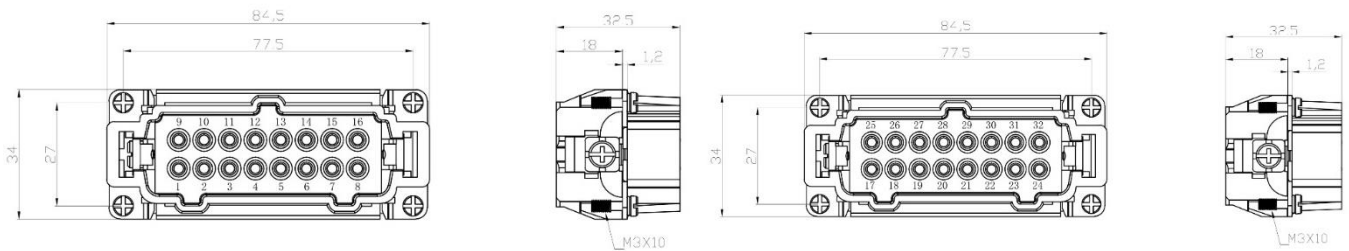


Dimensional line drawings

32 Pole Female Screw for RS PRO H32B series Housing 208-4513 (2x 16 pole)

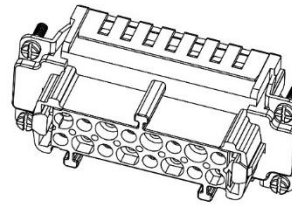
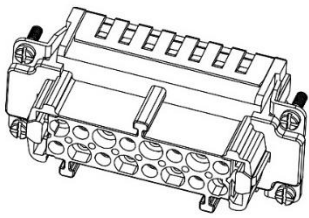
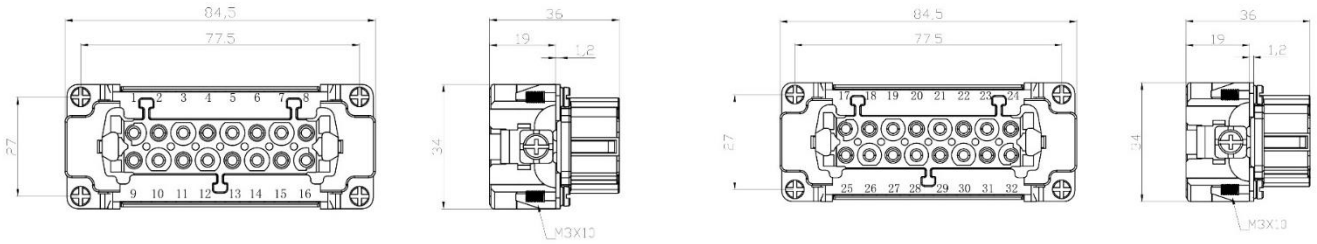


32 Pole Male Screw for RS PRO H32B series Housing 208-4516 (2x 16 pole)

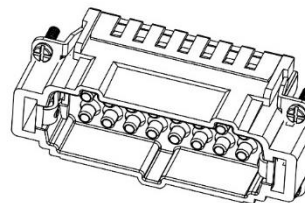
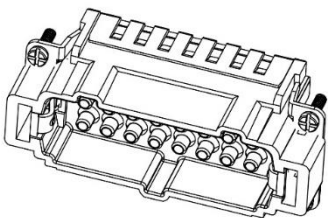
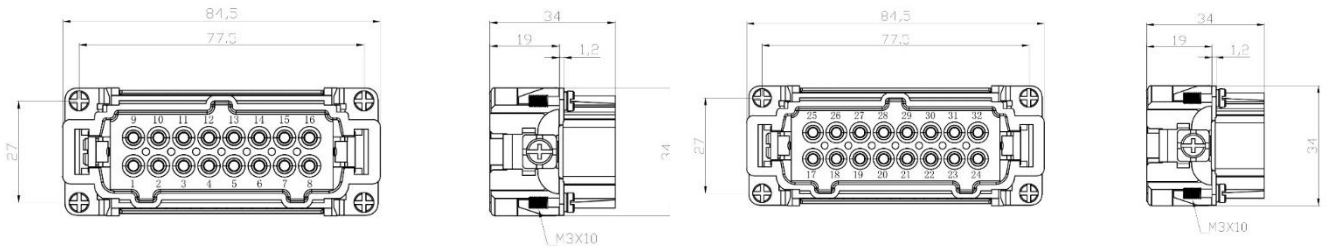


Dimensional line drawings

32 Pole Female Crimp for RS PRO H32B series Housing 208-4514 (2x 16 pole)

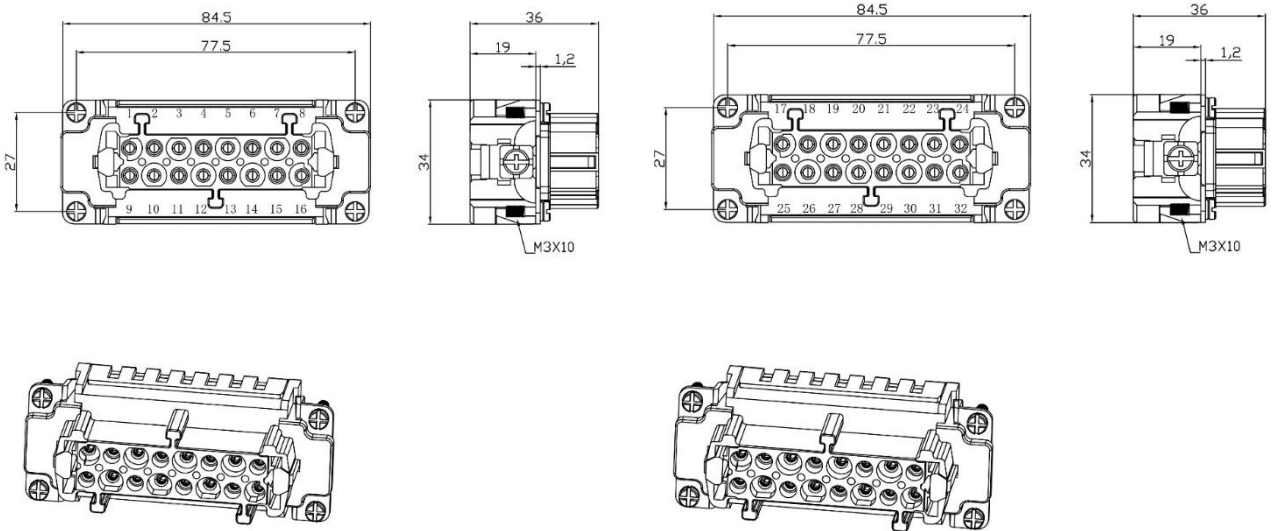


32 Pole Male Crimp for RS PRO H32B series Housing 208-4517 (2x 16 pole)

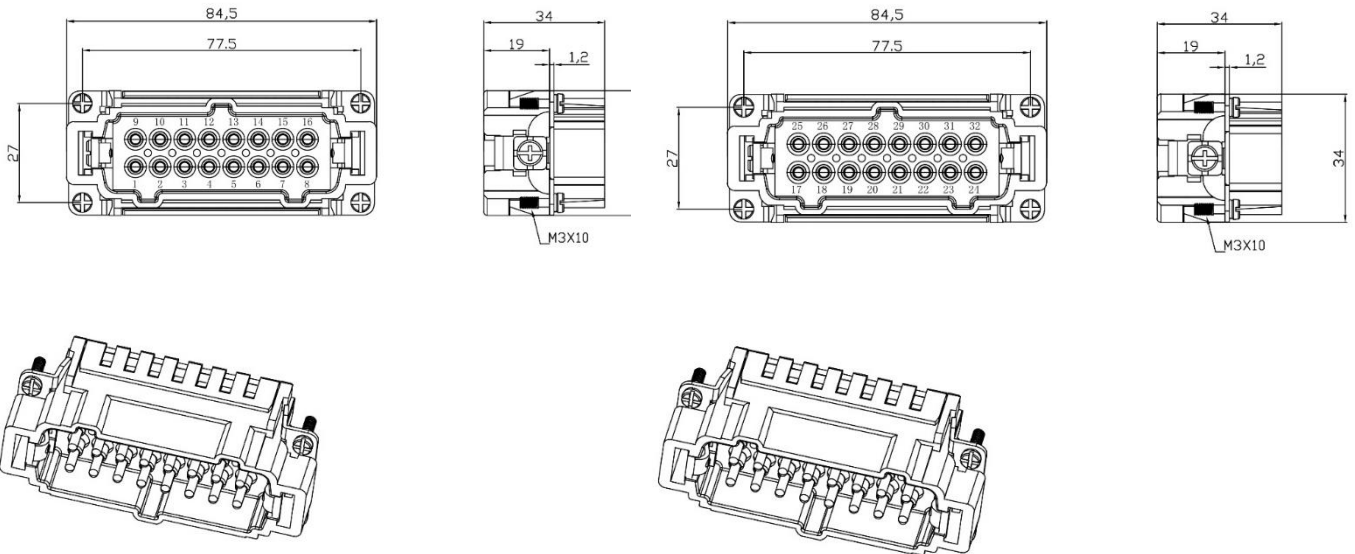


Dimensional line drawings

32 Pole Female Cage Clamp for RS PRO H32B series Housing 208-4515 (2x 16 pole)

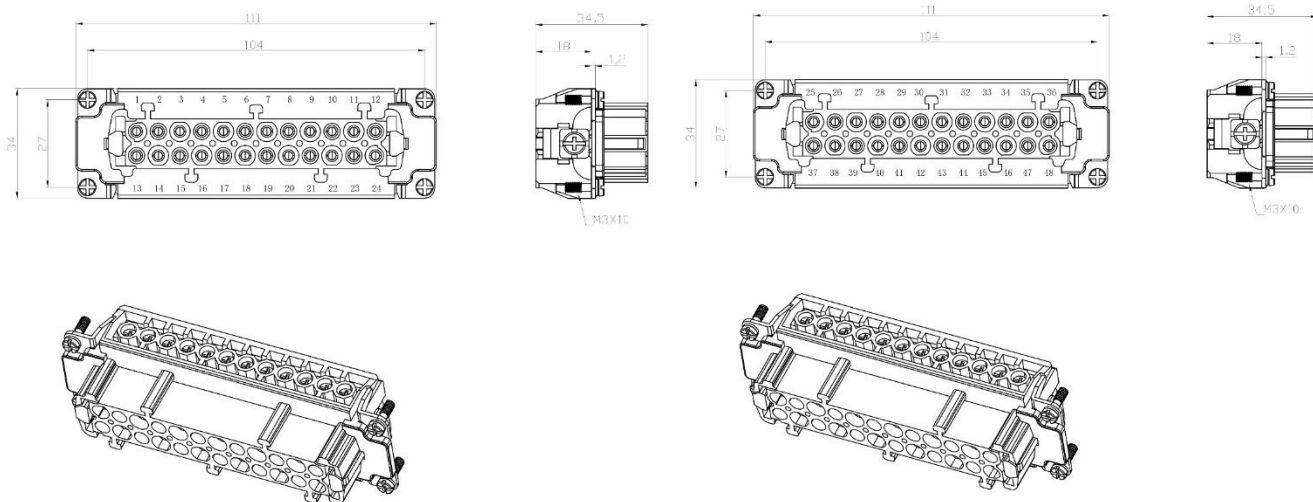


32 Pole Male Cage Clamp for RS PRO H32B series Housing 208-4518 (2x 16 pole)

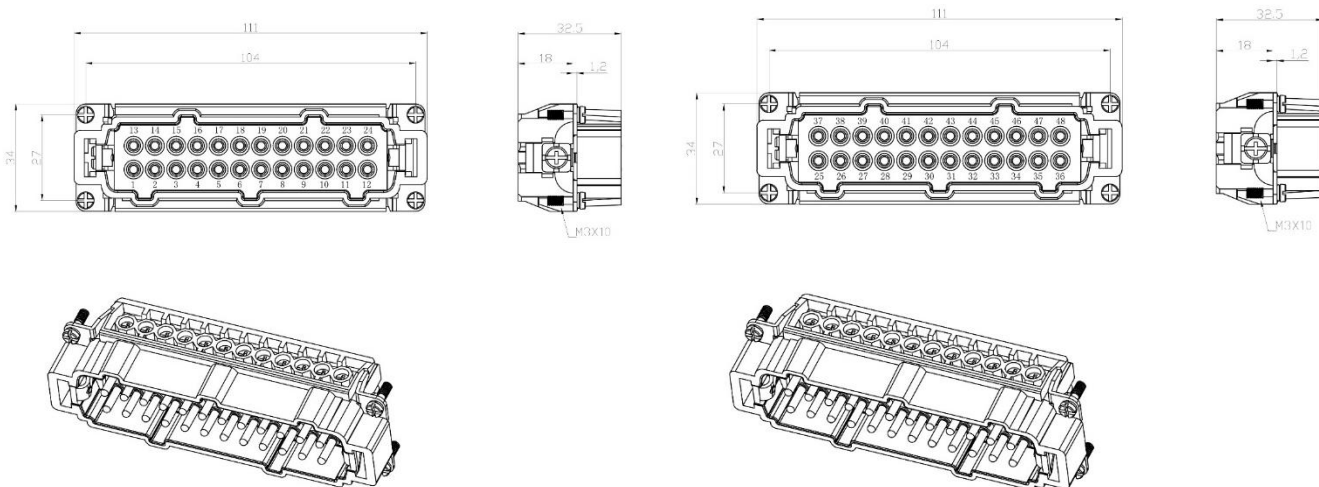


Dimensional line drawings

48 Pole Female Screw for RS PRO H48B series Housing 208-4519 (2x 24 pole)

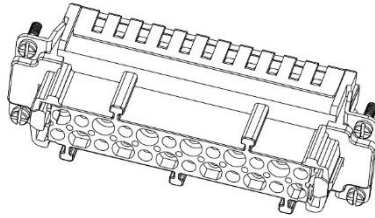
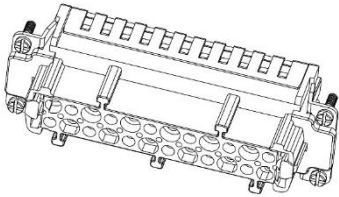
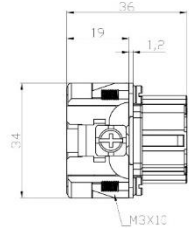
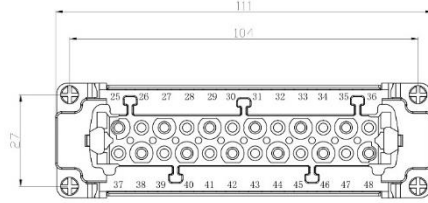
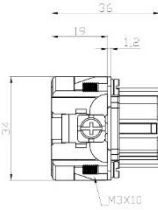
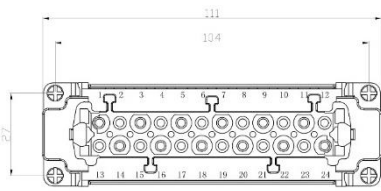


48 Pole Male Screw for RS PRO H48B series Housing 208-4522 (2x 24 pole)

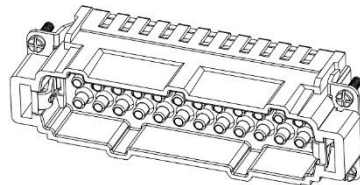
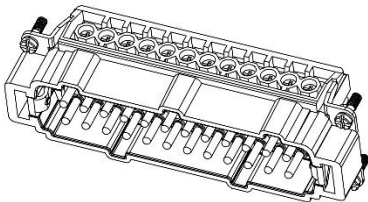
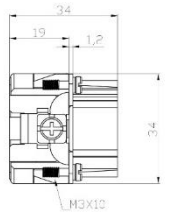
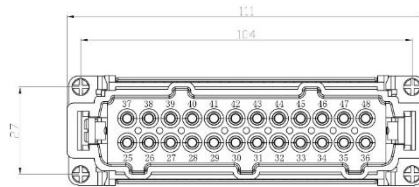
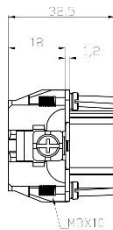
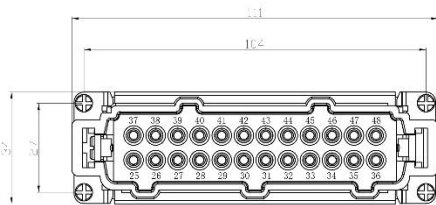


Dimensional line drawings

48 Pole Female Crimp for RS PRO H48B series Housing 208-4520 (2x 24 pole)

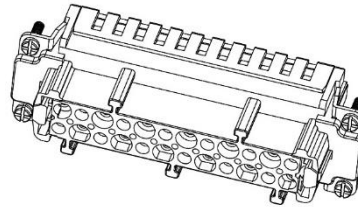
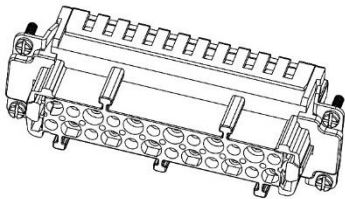
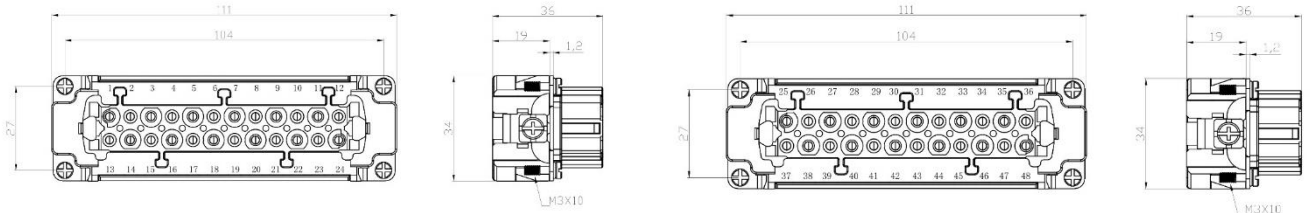


48 Pole Male Crimp for RS PRO H48B series Housing 208-4523 (2x 24 pole)



Dimensional line drawings

48 Pole Female Cage Clamp for RS PRO H48B series Housing 208-4521 (2x 24 pole)



48 Pole Male Cage Clamp for RS PRO H48B series Housing 208-4524 (2x 24 pole)

