



EN

Datasheet

RS PRO VINYL-INSULATED (EASY ENTRY) BLADE TERMINALS

Stock number: 178-7251

MAXIMUM ELECTRIC CURRENT:

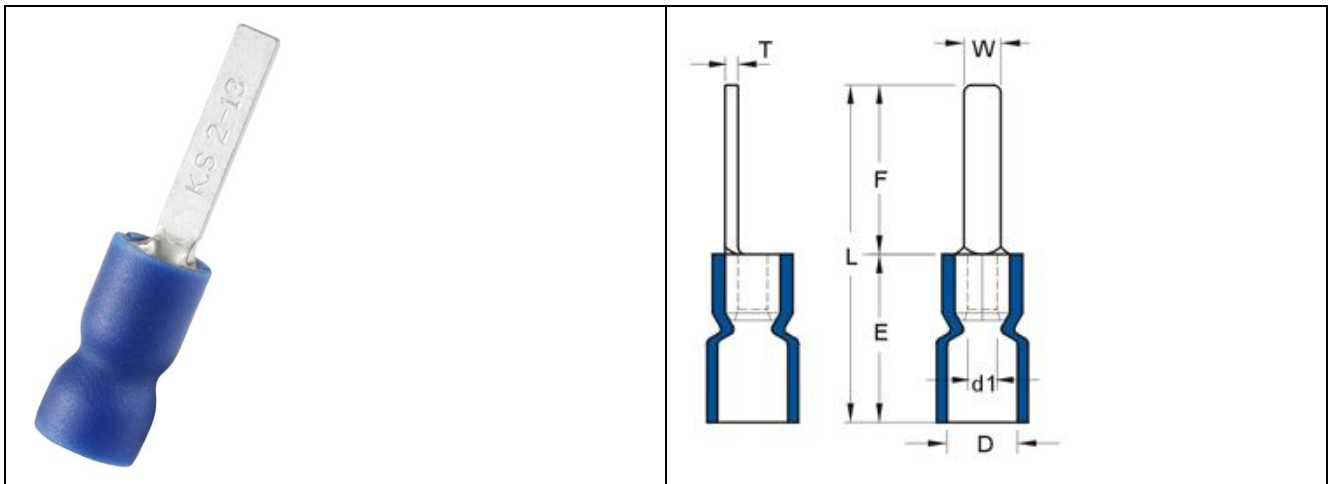
A.W.G.	16	14
AMP.	18	30

MAXIMUM ELECTRICAL RATING: 105° C 600 VOLTS MAX.

INSULATION MATERIAL: VINYL (PVC)

TERMINAL MATERIAL: COPPER

INSULATION COLOR: BLUE



WIRE RANGE A.W.G. mm ²	ITEM NO. BUTTED SEAM	DIMENSION inch(mm)							
		W	F	L	E	D	d1	T	
16-14 A.W.G.	178-7251	0.094	0.512	0.957	0.453	0.177	0.091	0.031	
1.5-2.5 mm ²		2.4	13	24.3	11.5	4.500	2.3	0.8	