



ENGLISH

Datasheet

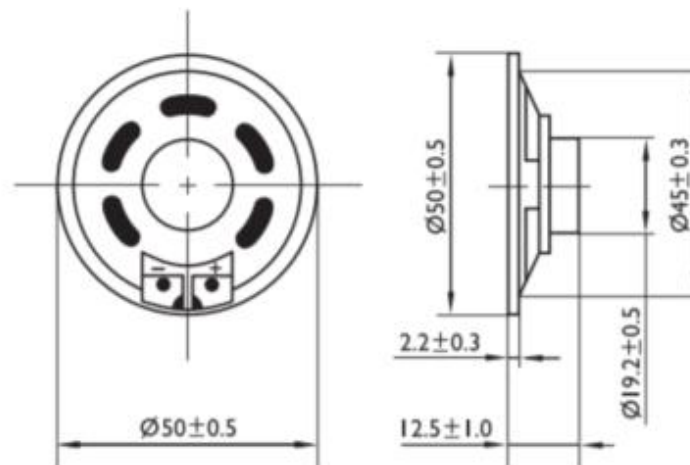
Specifications	ABS-215-RC
Rated impedance	8±15%Ω
Nominal power	1.5W
Maximum power	2.0W
Resonant frequency	550±20%Hz
Frequency range	F 0-20KHz
Sound pressure level at 0.1W/0.5m	89±3dB
Speaker size	ø50mm
Magnet material	Nd-Fe-B
Magnet size	ø12.5x2.5mm
Operating temperature	-20°C~+60°C
Storage temperature	-30°C~+70°C
Weight	18g±5%

The Mylar cone and gasket make this product suitable for applications where there is a possibility of water ingress.

Features

- ROHS compliant
- Cone material: Clear mylar
- Housing material: Metal

All data at 25°C unless otherwise specified



Dimensions Unit: mm



ENGLISH

