

Range datasheet

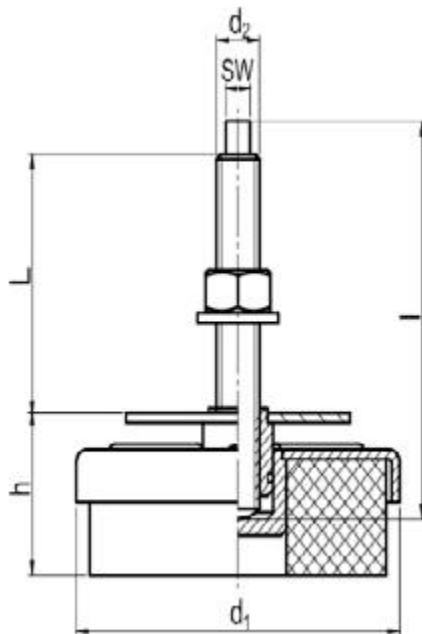
## RS Pro Height Adjustable Mount



### Product Details -

- Operation temperature -40 - +80 °C
- Direct contact of the rubber with oils, alkalines, acids must be avoided
- Other elastomers like CR, NBR and Silicone Elastomers may be available on special request
- Applications:  
Suitable for high to Low Frequencies:  
Lathes, CNC Milling Machines, Presses etc.

### Line Drawing -





## Range Table:

RS Stock number	Description	D1(mm)	H (mm)	D2	I (mm)	L (mm)	Sw
1263896	Fixed Height Mount 80x38 M12 x 75	80	38-48	M12x1.5	100	75-65	8
1263897	Fixed Height Mount 120x43 M16 x 81	120	43-50	M16x1.5	120	80-68	9
1263552	Fixed Height Mount 160 x 48 M20 x 125	160	48-53	M20x1.5	170	125-110	12

RS Stock number	Description	Static Load (kg)	Dynamic Load 200rpm (kg)	Dynamic Load 160rpm (kg)	Dynamic Load <125 rpm (kg)
1263896	Fixed Height Mount 80x38 M12 x 75	600	120	140	200
1263897	Fixed Height Mount 120x43 M16 x 81	1500	250	350	400
1263552	Fixed Height Mount 160 x 48 M20 x 125	3000	700	1000	2500