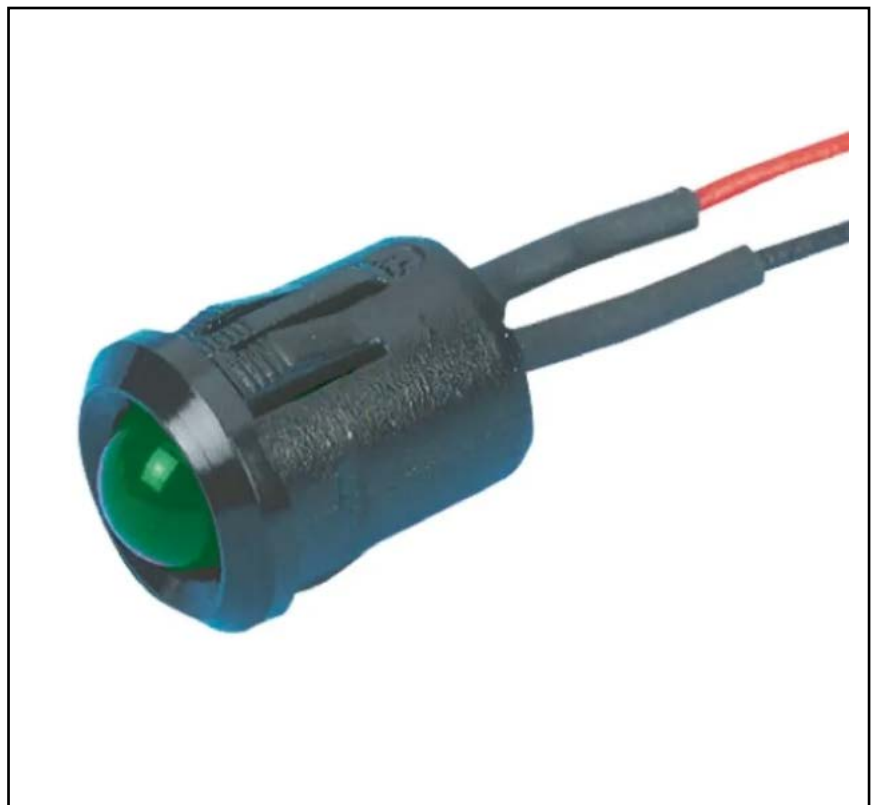


FEATURES

- 8 mm coloured diffused epoxy lens
- Various voltages
- Snap-in fixing technology
- Longevity and low power consumption

RS PRO Green Indicator, 24 V dc, 12mm Mounting Hole Size, Lead Wires Termination

RS Stock No.: 208-920



RS Professionally Approved Products bring to you professional quality parts across all product categories. Our product range has been tested by engineers and provides a comparable quality to the leading brands without paying a premium price.

Product Description

From RS PRO, a range of LED indicators. Each indicator has a compact and robust high quality build, complete with a snap-in technology. The incredible ease of the installation process ensures these LED indicators are perfect for your application. All models are highly reliable and excellent quality.

General Specifications

| | |
|-----------------------------|--|
| Light Output Colour | Green |
| Lamp Type | LED |
| Termination Type | Lead Wires |
| Type | Panel Mount |
| Bezel Style | Prominent |
| Bezel Colour | Black |
| Intensity | 50mcd |
| Type Of Illumination | Fixed Light |
| LED Colour | Green |
| Viewing Angle | 30° to 100° |
| Life Expectancy | 100000hours |
| Applications | Fixed to PCB circuit boards mounted; Switches; Pushbuttons; Used as vehicle indicators |

Electrical Specifications

| | |
|--------------------------|--------|
| Voltage Rating | 24V dc |
| Current Rating | 20mA |
| Voltage Tolerance | 10% |

Mechanical Specifications

| | |
|---------------------------|--------|
| Mounting Hole Size | 12mm |
| Length | 18.5mm |
| Torque | 75cNm |
| Lamp Size | 8mm |

Operation Environment Specifications

| | |
|---------------------------|---------------|
| Temperature Rating | -40°C to 85°C |
|---------------------------|---------------|

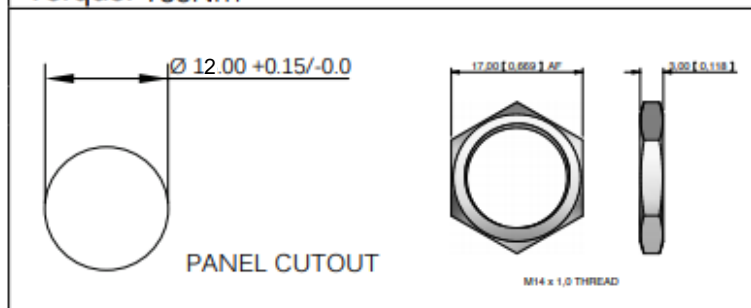
Approvals

| | |
|----------------------------------|---------|
| Compliance/Certifications | EN61340 |
|----------------------------------|---------|



| TECHNICAL SPECIFICATIONS | | |
|--------------------------|-----------------------------------|--|
| Voltage | Operating Voltage (Min to Max) | Operating Current (Typical All Types) |
| 02 (No Resistor) | 1.8 to 3.3VDC | 20mA max* |
| 6VDC | 5.4 to 6.6VDC | 20mA |
| 12VDC | 10.8 to 13.2VDC | 20mA |
| 24VDC | 21.6 to 26.4VDC | 20mA |
| 28VDC | 25.2 to 30.8VDC | 20mA |
| 110VAC | 99 to 121VAC | 6mA |
| 220VAC | 207 to 253VAC | 3mA |

| |
|--|
| Max Reverse Voltage: 5V |
| Viewing Angle: 30–100° (dependant on model) |
| Life Expectancy: 100,000 hours |
| Temperature Range: –40 to +85°C (operating & storage) |
| Torque: 75cNm |



| Standard LED Intensity | Prominent and Recessed | Flush | Forward Voltage |
|--|------------------------|----------|-----------------|
| HE Red | 350mcd | N/A | 2.0V |
| Green | 60mcd | N/A | 2.2V |
| Yellow | 50mcd | N/A | 2.1V |
| Blue | 800mcd | N/A | 3.3V |
| Blue | N/A | 330mcd | 3.1V |
| White | 1,200mcd | N/A | 3.3V |
| White | N/A | 2,180mcd | 3.1V |
| Orange | 100mcd | N/A | 2.0V |
| Bi-color (Typical) (Red/Green) | 20/10mcd | N/A | 2.0V/2.2V |
| Tri-color (Typical) (Red/Green/Yellow) | 80/15/13mcd | N/A | 2.0V/2.2V/2.1V |

Bi-color - The color is changed by reversing the polarity of the supply voltage.

Tri-color - The indicator has red and green LEDs, when both connected yellow is produced.

| Super Bright LED | Prominent and Recessed | Flush | Forward Voltage |
|------------------|------------------------|-------|-----------------|
| HE Red | 3,000mcd | N/A | 2.2V |
| Green | 8,000mcd | N/A | 3.3V |
| Yellow | 1,100mcd | N/A | 2.3V |
| Blue | 1,500mcd | N/A | 3.3V |
| White | 1,200mcd | N/A | 3.3V |
| Orange | 2,000mcd | N/A | 2.2V |

| Hyper Bright LED | Prominent and Recessed | Flush | Forward Voltage |
|------------------|------------------------|----------|-----------------|
| HE Red | N/A | 1,120mcd | 2.0V |
| Green | N/A | 1,560mcd | 3.3V |
| Yellow | N/A | 1,120mcd | 2.0V |
| Orange | N/A | 1,120mcd | 2.2V |

Luminous intensity will be reduced with lower operating current.

PROMINENT BEZEL

