

RoHS
Compliant



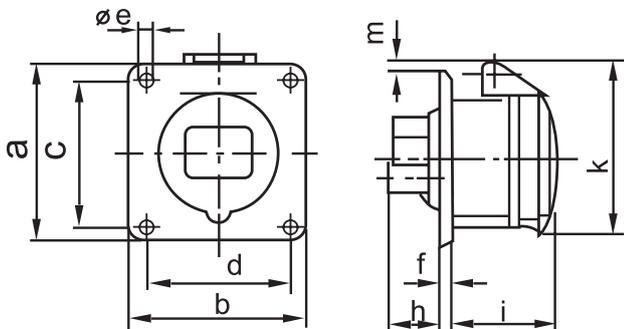
Features

- Panel mount socket
- Flange: 3P, 4P: 65mm × 65mm
5P : 75mm × 75mm
- Screw terminals
- Suitable for through wiring

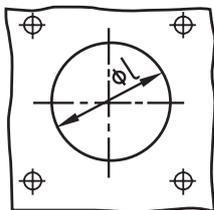
Specifications

Current Rating	: 16A / 32A
Voltage Rating	: 230V / 400V 50-60Hz
Poles	: 3 / 4 / 5
IP rating	: IP44
Min Wire Size	: 16A : 1.5mm ² 32A : 2.5mm ²
Max Wire Size	: 16A : 4mm ² 32A : 6mm ²

Diagram



Panel cutout



Dimensions

Current Rating	16A			32A		
	3	4	5	3	4	5
a	65		75	75		
b	65		75	75		
c	52		60.5	60.5		
d	52		60.5	60.5		
e	5.5			5.5		
f	7			8		
h	17	26	23	36		19
i	51	53		53		
k	70	80	85	90		98
l	45		55	60		
m	8.5	12	15.5	13		17

Dimensions : Millimetres



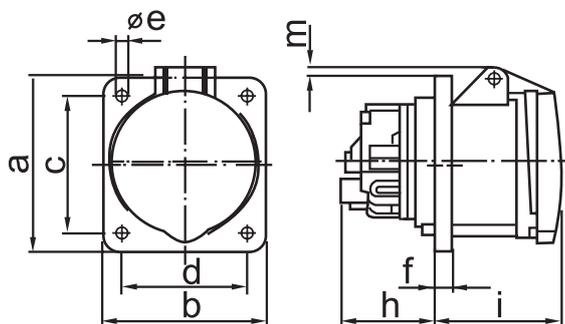
Features

- Panel mount socket
- Flange: 107mm × 100mm
- Screw terminals
- Suitable for through wiring

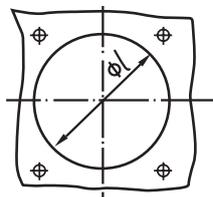
Specifications

Current Rating	: 63A
Voltage Rating	: 230V / 400V 50-60Hz
Poles	: 3 / 4 / 5
IP rating	: IP44
Min Wire Size	: 6mm ²
Max Wire Size	: 25mm ²

Diagram



Panel cutout



Dimensions

a	107
b	100
c	85
d	77
e	6.5
f	12
h	56
i	77
l	88
m	7

Dimensions : Millimetres



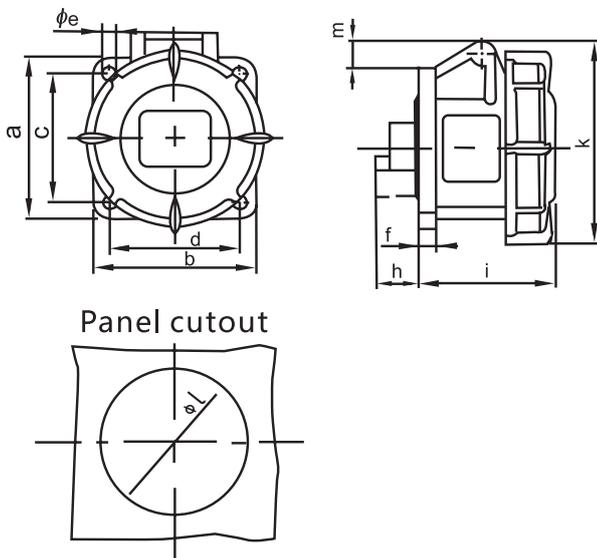
Features

- Panel mount socket
- Flange: 3P, 4P: 65mm × 65mm
5P : 75mm × 75mm
- Screw terminals
- Suitable for through wiring

Specifications

Current Rating	: 16A / 32A
Voltage Rating	: 230V / 400V 50-60Hz
Poles	: 3 / 4 / 5
IP rating	: IP67
Min Wire Size	: 16A : 1.5mm ² 32A : 2.5mm ²
Max Wire Size	: 16A : 4mm ² 32A : 6mm ²

Diagram



Dimensions

Current Rating	16A			32A		
	3	4	5	3	4	5
a	65		75	75		
b	65		75	75		
c	52		60	60		
d	52		60	60		
e	5.5			5.5		
f	7			8		
h	17	26	23	36		19
i	56		58	66		
m	10.5	16	13	12		16.5
k	82	90	98	101		108
l	45		55	60		

Dimensions : Millimetres



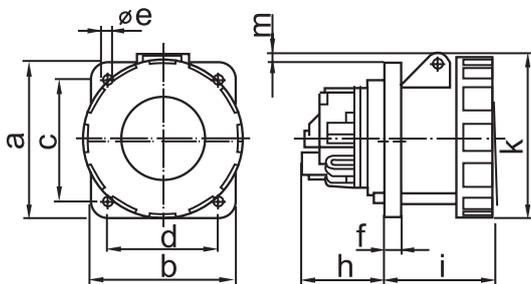
Features

- Panel mount socket
- Flange: 107mm × 100mm
- Screw terminals
- Suitable for through wiring

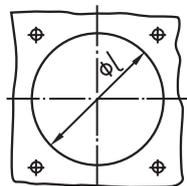
Specifications

Current Rating	: 63A
Voltage Rating	: 230V / 400V 50-60Hz
Poles	: 3 / 4 / 5
IP rating	: IP67
Min Wire Size	: 6mm ²
Max Wire Size	: 25mm ²

Diagram



Panel cutout



Dimensions

a	107
b	100
c	85
d	77
e	6.5
f	12
h	56.5
i	76
k	113
l	88
m	7

Dimensions : Millimetres

Newark.com/multicomp-pro
 Farnell.com/multicomp-pro
 sg.element14.com/b/multicomp-pro

Part Number Table

Description	Part Number
Mains Socket, 3P, 16A, 230V, IP44	MP011047
Mains Socket, 3P, 16A, 230V, IP67	MP011083
Mains Socket, 4P, 16A, 400V, IP44	MP011048
Mains Socket, 4P, 16A, 400V, IP67	MP011084
Mains Socket, 5P, 16A, 400V, IP44	MP011049
Mains Socket, 5P, 16A, 400V, IP67	MP011085
Mains Socket, 3P, 32A, 230V, IP44	MP011059
Mains Socket, 3P, 32A, 230V, IP67	MP011095
Mains Socket, 4P, 32A, 400V, IP44	MP011060
Mains Socket, 4P, 32A, 400V, IP67	MP011096
Mains Socket, 5P, 32A, 400V, IP44	MP011061
Mains Socket, 5P, 32A, 400V, IP67	MP011097
Mains Socket, 3P, 63A, 230V, IP44	MP011071
Mains Socket, 3P, 63A, 230V, IP67	MP011107
Mains Socket, 4P, 63A, 400V, IP44	MP011072
Mains Socket, 4P, 63A, 400V, IP67	MP011108
Mains Socket, 5P, 63A, 400V, IP44	MP011073
Mains Socket, 5P, 63A, 400V, IP67	MP011109

Important Notice : This data sheet and its contents (the "Information") belong to the members of the AVNET group of companies (the "Group") or are licensed to it. No licence is granted for the use of it other than for information purposes in connection with the products to which it relates. No licence of any intellectual property rights is granted. The Information is subject to change without notice and replaces all data sheets previously supplied. The Information supplied is believed to be accurate but the Group assumes no responsibility for its accuracy or completeness, any error in or omission from it or for any use made of it. Users of this data sheet should check for themselves the Information and the suitability of the products for their purpose and not make any assumptions based on information included or omitted. Liability for loss or damage resulting from any reliance on the Information or use of it (including liability resulting from negligence or where the Group was aware of the possibility of such loss or damage arising) is excluded. This will not operate to limit or restrict the Group's liability for death or personal injury resulting from its negligence. Multicomp Pro is the registered trademark of Premier Farnell Limited 2019.