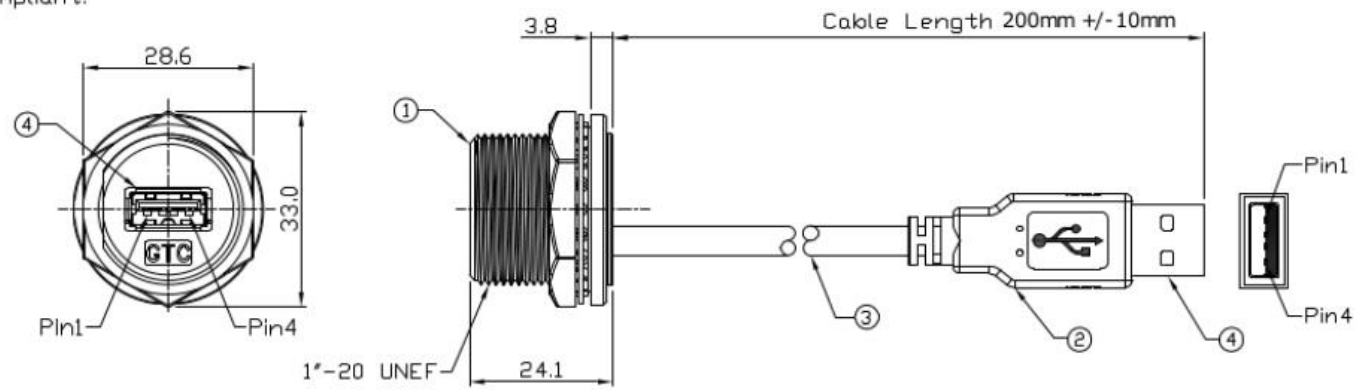




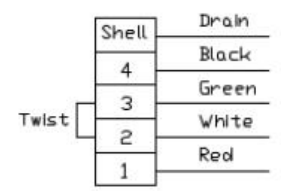
Notes: (Unless Otherwise Specified)

1. Waterproof Rate: IP68,
2. Recommend Panel Thickness: 0.8 to 8.0 mm.
3. Recommend Torque: 19~20 Kgf-cm.
4. Mating Cap: 125-7930
5. RoHS Compliant.

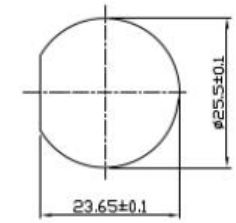
REV	ECN#	DESCRIPTION OF REVISION	DRAW BY DATE	CHECK BY DATE	APPROVE BY DATE
A2	ECN-120313	Add Metal Washer , Marked	Joyce 04/09/12	Lucas 04/09/12	Ray 04/09/12



4	USB-A Receptacle	Housing: Thermoplastic, Color: Black Contacts: Copper Alloy Finish: Au Plated Shell: Copper Alloy, Finish: Ni Plated	1
3	USB Cable	UL2725 1P*28AWG+2C*24AWG+1N/My+D+B OD:5.0±0.2, Color: Black	1
2	Over Mold	PVC Color: Black	1
1	USB-A Metal C4 Panel Jack Screw With Cable	GTC Connector P/N: GT211300-03-XX	1
Item	Part Name	Material / Finish	Qty



Wiring Diagram



Recommend Panel Cut-Out

Mating Part:
122-3023

RS Stock No
122-3024

TITLE							REV.		
USB-A Metal C4 Panel Jack Screw With Cable+USB-A Plug							A2		
	B	1:1	Joyce 05/18/11	Lucas 05/18/11	Ray 05/18/11	XX ± 0.5 X.XX ± 0.2	X,XXX ± 0.05 ANGLES ± 1°	mm	1/1
THIRD ANGLE PROJECTION	SIZE	SCALE	DRAW / DATE	CHECK / DATE	APPROVE / DATE	TOLERANCES		UNIT	SHEET

1

2

3

4