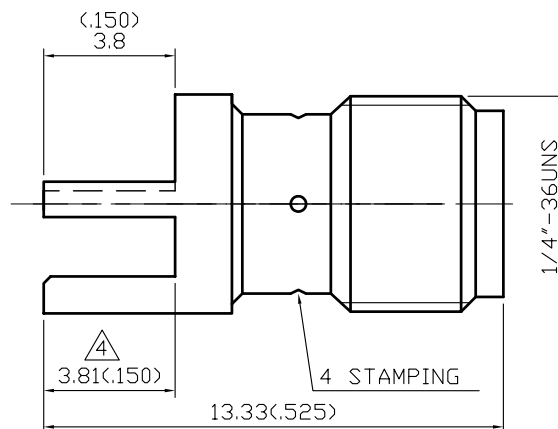
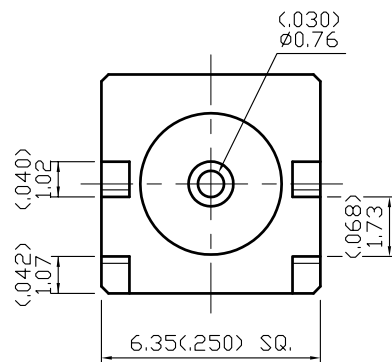


NO	DESCRIPTION	DATE
①	BACKGROUND FORMAT UPDATED	07.18.02
②	MODIFICATION FOR ①②③	04.03.03
③	MODIFICATION CENTER CONTACT ② INSULATION ③	05.04.05
④	<.015> → <.150>	06.22.05



NOTES: UNLESS OTHERWISE SPECIFIED

- BODIES: BRASS PER JIS-C3604
- CENTER CONTACT: BERYLLIUM COPPER PER ASTM B196 UNS C17300
- INSULATION: TEFLON PER ASTM D1457 AND ASTM D1710
- CONNECTOR INTERFACE PER MIL-STD-348A
- PART TO BE CLEAN AND FREE OF BURRS

NO	DESCRIPTION	MATERIAL	Q' TY	FINISH
3	INSULATION	TEFLON	1	NONE
2	CENTER CONTACT	BERYLLIUM COPPER	1	GOLD 50 $\mu$ " MIN.
1	BODY	BRASS	1	GOLD 3 $\mu$ " MIN.

APPROVED

by \_\_\_\_\_

DATE: \_\_\_\_\_

DESCRIPTION		SMA EDGE MOUNT JACK RECEPTACLE					
製圖	DRAWN	TOLERANCE	品名	19-70-1/ROHS COMPLIANT (50 $\Omega$ )	DATE	版次	REV.
	<i>Nina</i>						
檢圖	CHECK	.XX	±0.1	單位	DWG.NO.	19-0069	SCALE
	<i>Lewis</i>						
認定	APPROVAL	.XXX	±0.05	比例	佳楠精密電子股份有限公司 CHIN NAN PRECISION ELECTRONICS CO.,LTD.		
	<i>Lewis</i>	ANGLE	±5°				