

## FEATURES

- EMC approved (ECE R10)
- Sealed for life against dust and moisture ingress
- Meets IP67 protection standards
- • -30 to +50° ( extreme temperature
- Low power consumption
- Providing excellent all-round visibility

## RS PRO Beacons

RS Stock No.: 907-5974



RS Professionally Approved Products bring to you professional quality parts across all product categories. Our product range has been tested by engineers and provides a comparable quality to the leading brands without paying a premium price.

### Product Description

These Low Profile LED Beacons from our own RS PRO brand is ideal for off-road use and is also suitable for a variety of vehicles and industrial applications. The use of LED technology offers substantial maintenance savings by avoiding the need for regular lamp replacement which could be tricky on higher vehicles

### General Specifications

<b>Bulb Type</b>	LED
<b>Light Effect</b>	Flashing
<b>Lens Colour</b>	Green
<b>Flash Pattern</b>	Single flash
<b>Housing Colour</b>	Black
<b>Lamp Include</b>	Yes/No
<b>Multifunction</b>	Yes/No
<b>Number of flash patterns</b>	4
<b>Number of LED</b>	4
<b>Special Features</b>	Fully Encapsulated Electronics, Low Power Consumption

### Electrical Specifications

<b>Supply Voltage</b>	10VDC to 100 VDC
<b>Current Type</b>	DC

### Mechanical Specifications

<b>Dimensions</b>	45mm (h)
<b>Base Diameter</b>	77mm
<b>Base Width</b>	38mm
<b>Mounting Style</b>	Screw Mount

## Operation Environment Specifications

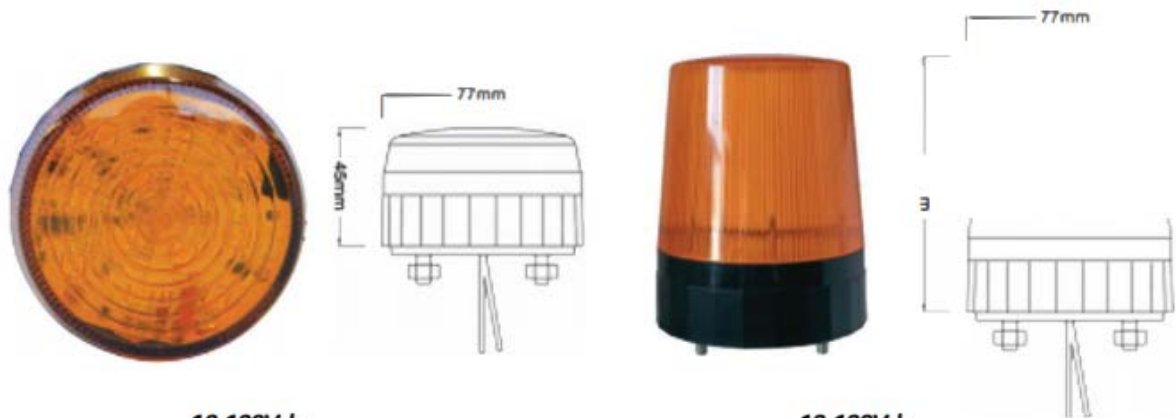
Maximum Temperature	-30°C
Minimum Temperature	+50°C

## Protection Category

IP Rating	IP 67
-----------	-------

## Approvals

Standards Met	EMC (ECE R10), RoHS Compliant
---------------	-------------------------------



- 10-100Vdc**
- AMBER RS 907-5961
  - RED RS 907-5965
  - GREEN RS 907-5974
- 110-230Vac**
- AMBER RS 907-5977
  - RED RS 907-5971

- 10-100Vdc**
- AMBER RS 907-5980
  - RED RS 907-5983
  - GREEN RS 907-5987
- 110-230Vac**
- AMBER RS 907-5996
  - RED RS 907-5999

