

FEATURES

- For symmetry and asymmetric interference attenuation
- High attenuation, broad-band
- Excellent high/low frequency noise attenuation
-

RS PRO 20A 520 V ac, Chassis Mount Power Line Filter - 3 Phase

RS Stock No.: 237-8749,237-8750



RS Professionally Approved Products bring to you professional quality parts across all product categories. Our product range has been tested by engineers and provides a comparable quality to the leading brands without paying a premium price.

Product Description

- Electrical and electronic equipment
- Medical equipment
- Datacom equipment
- Office automation equipment

General Specifications

Designed 2 stage enhanced filtering to prevent the power supply may produce interference to the device. Various terminal options allow you to select. There are a variety of parts and combinations to meet customized products according to customer's requirements different customer's EMC tests

Mechanical Specifications

size	63X51X38mm (L X W X H)
weight	0.240kgs

Electrical Specifications

Rated Voltage Max.	250/440VAC
Operating frequency	50/60Hz
Rated currents	20A
Hipot Rating	L-N: 1450VDC, L/N-G: 2250VDC

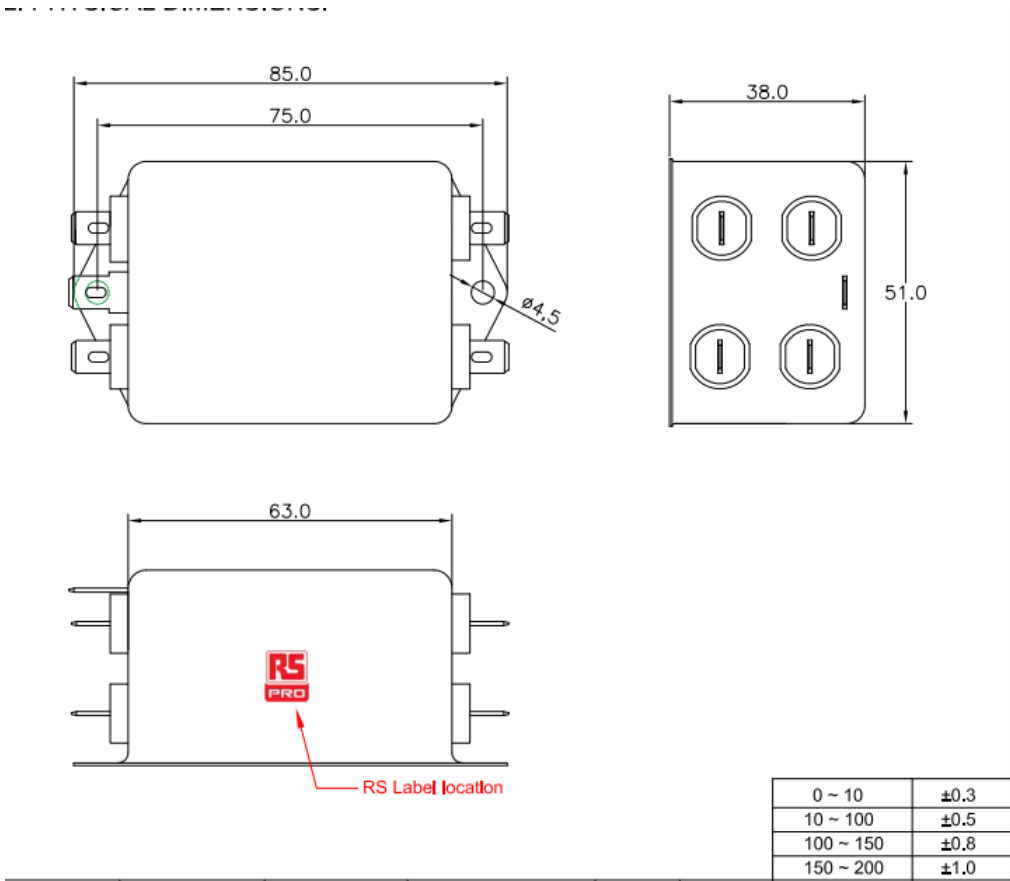
Protection Category

according to IEC 60529 IP40

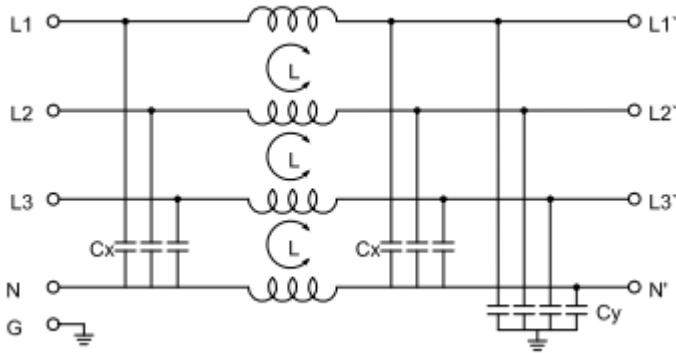
Approvals

Declarations	CE
Standards Met	IEC/EN 60939,;

Physical Dimensions:

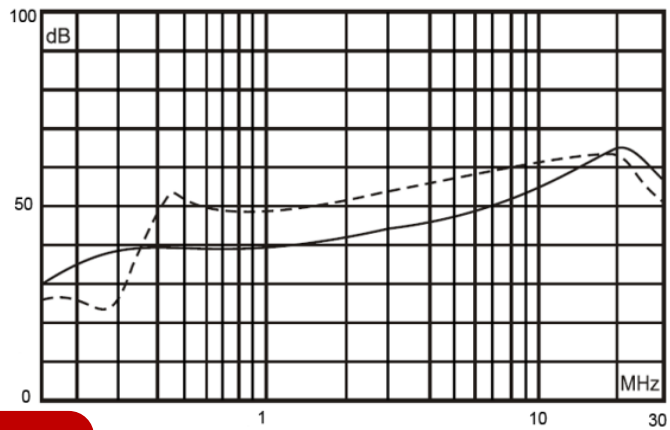


Electrical Schematic:



Insertion loss table(In 50ohm system according IEC/CISPR No.17)

———— Common mode - - - - - Differential mode
20A



Packaging:

Power Line Filters

