

Datasheet

Fast Acting Glass Tube Fuse, 0.5-20A, 5x20mm

Stock No: 1778017, 1778052, 1778011, 1778012, 1778013, 1778014,
1778015, 1778016, 1778039, 1778040, 1778041

RS Pro



Specifications:

Materials

Tube (Body): Transparent glass tube. No breaking or deformation is allowed.

Two brass end caps: Made of brass of good conductivity.

Coating of brass caps: Plating the surface with nickel. If the indication is added with "S", it needs to be plated with silver.

Interrupting Ratings

0.2A~10A 10000 amperes at 125Vac

0.2A~1A 35 amperes at 250Vac

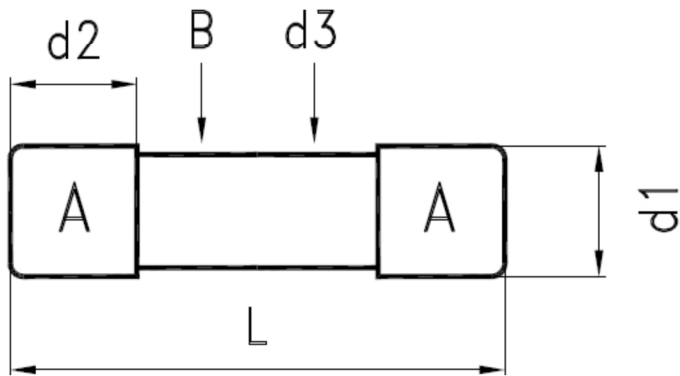
1.1A~3.5A 100 amperes at 250Vac

3.6A~10A 200 amperes at 250Vac

Operating Temperature

-55°C to +125°C

Drawing (mm):



NO.	Part Name		Volume
A	Brass Cap	Nickel Plating	2
B	Glass Tube	Transparent Glass	1
d1	Dia. of Cap	5.2 ± 0.1	
d2	Height of Cap	$5.25 \pm 0.1 \text{mm}$	
d3	Dia. of Ceramic	$4.56 \pm 0.2 \text{mm}$	
L	Body of Fuse	$20.00 \pm 0.75 \text{mm}$	

Electrical Characteristic:

Rating	100% Rating		135% Rating		200% Rating	
	Min.	Max.	Min.	Max.	Min.	Max.
0.2A~20A	4 Hrs			60 min		5 sec



ENGLISH

Mark Approvals		Nominal Resistance	Nominal Melting I ² t
		Cold Ohms	A ² Sec
500	mA	0.4195	0.0930
800	mA	0.1905	0.3456
1	A	0.1438	0.5940
2	A	0.0588	3.2400
3	A	0.0394	7.9056
4	A	0.0288	17.510
5	A	0.0188	25.799
6	A	0.0156	37.163
8	A	0.0113	62.277
10	A	0.0085	134.62
20	A	0.0034	586.66

Reference:

Stock No	Rating amperes
1778017	500mA 250V
1778052	800mA 250V
1778011	1A 250V
1778012	2A 250V
1778013	3A 250V
1778014	4A 250V
1778015	5A 250V
1778039	6A 250V
1778016	8A 250V
1778040	10A 250V
1778041	20A 250V
1778124	20A 250V - pk of 50