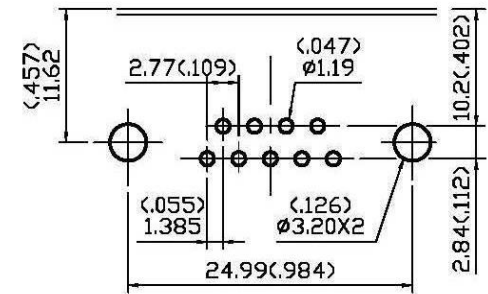
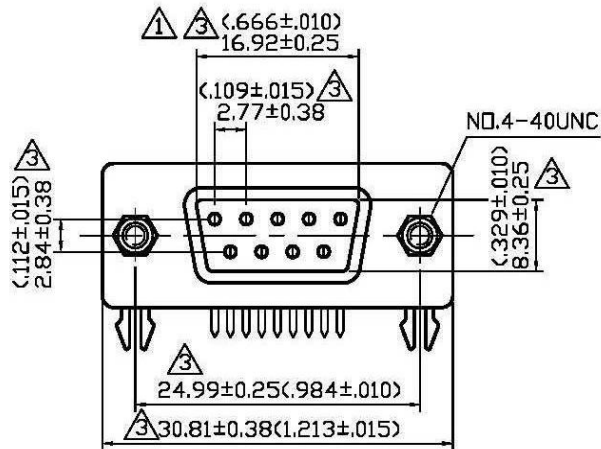
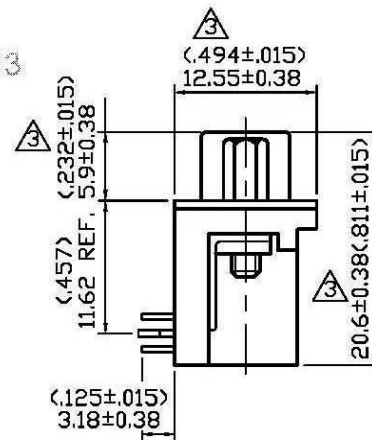
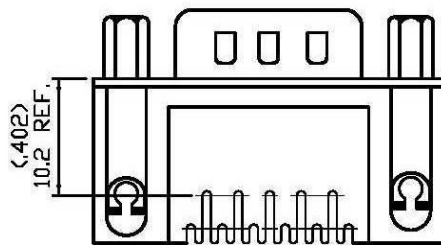


NO	DESCRIPTION	DATE
①	ADD MIS PART NO. 16.92 LINE MARK TO REVISE	04.01.04
②	4724463 → 054-0009P-F P54-0009P-F → 054-0009P-F	01.02.07
③	ADD DESCRIPTION MIS PART NO. → P/N 2.77±0.25 → 2.77±0.38 16.92 REF → 16.92±0.25 2.84±0.25 → 2.84±0.38 8.36 REF → 8.36±0.25 24.99 REF → 24.99±0.25 30.8 REF → 30.81±0.38 12.55±0.25 → 12.55±0.38 5.9 REF → 5.9±0.38 20.6 REF → 20.6±0.38	04.29.08



04/25/2013



①②③ P/N: 544-3941

**MATERIAL:**

INSULATOR: PBT+30% GLASS FIBER (UL 94V-0) BLACK.  
CONTACT MATERIAL: BRASS.  
CONTACT FINISH: GOLD OVER NICKEL.  
SHELL FINISH: STEEL NICKEL PLATED.

**SPECIFICATION:**

CURRENT RATING: 5 AMP  
DIELECTRIC WITHSTANDING VOLTAGE: 1000V PER MINUTE.  
INSULATION RESISTANCE: 1000MΩ MIN. AT 500V DC.  
CONTACT RESISTANCE: 15mΩ MAX. 10 SES.  
OPERATING TEMPERATURE: -55°C~+105°C



APPROVED by \_\_\_\_\_ DATE: \_\_\_\_\_

DESCRIPTION		D-SUB WITH 9-PIN MALE CONNECTOR BY FORMING							
製圖	DRAWN	TOLERANCE		品名	054-0009P-F ② 9W RT/ANG GRD PLG	日期	DATE	版次	REV.
	Yoko	X	±0.2	TITLE	ROHS COMPLIANT	01.27.04		A-3	
檢圖	CHECK	XX	±0.1	單位	DWG.NO. 55-0067				
	Ivan			mm(in)					
認定	APPROVAL	XXX	±0.05	比例					
	Angela	ANGLE	±5°	2:1					