

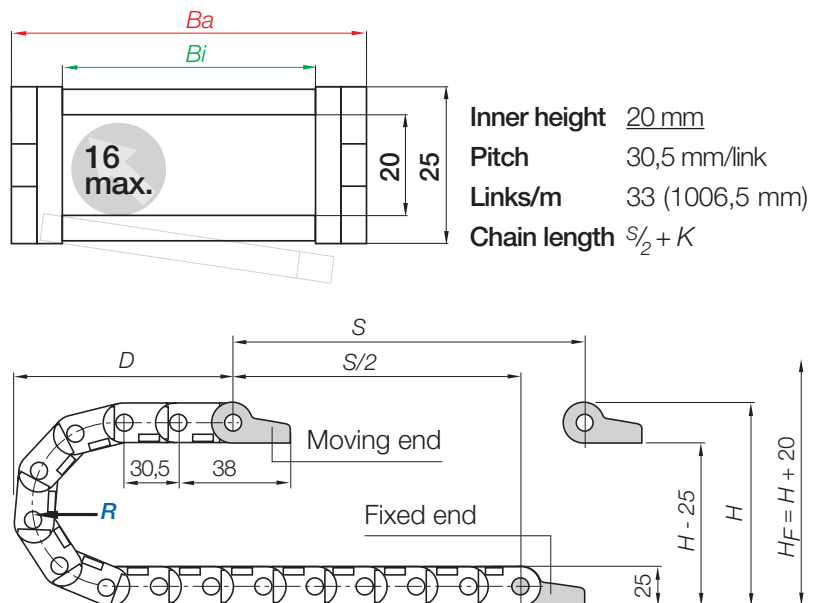
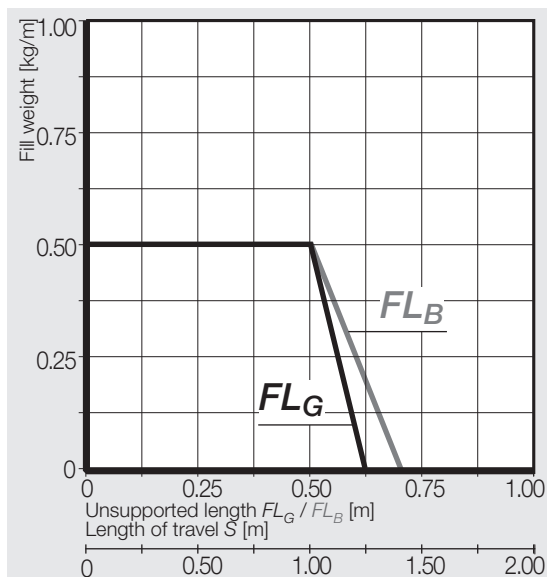


Series 14 | One-piece, snap-open along inner radius with film-hinge

Snap-open along inner radius	<i>Bi</i> [mm]	<i>Ba</i> [mm]	<i>R</i> Bending radii [mm]	Weight [kg/m]
14. 1 .R.0	15	26	028 038 048 075 100 125	≈ 0,31
14. 2 .R.0	25	36	028 038 048 075 100 125	≈ 0,32
14. 3 .R.0	38	49	028 038 048 075 100 125	≈ 0,40
14. 4 .R.0	50	61	028 038 048 075 100 125	≈ 0,41

Supplement Part No. with required radius (*R*). Example: 14.2.038.0

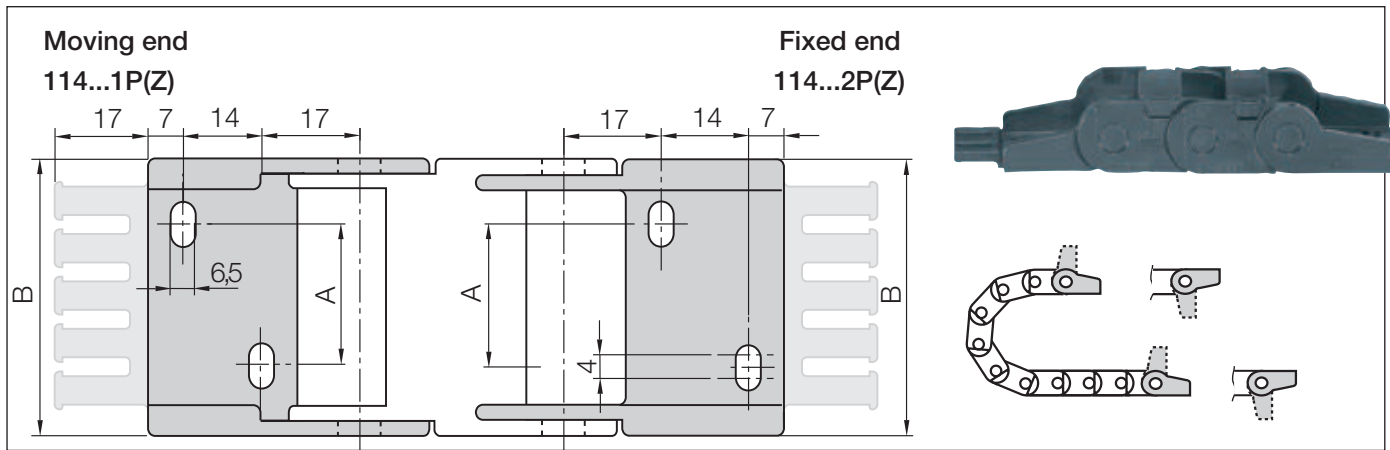
Dimensions



<i>R</i>	028	038	048	075	100	125
<i>H</i>	81	101	121	175	225	275
<i>D</i>	86	96	106	133	158	183
<i>K</i>	150	185	215	300	380	455

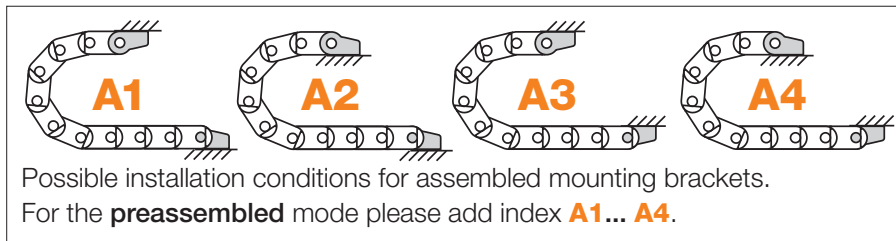
The required clearance height: $H_F = H + 20$ mm (with 0,5 kg/m fill weight)

Mounting brackets, polymer one-piece | locking | More features ► www.igus.eu/14



Width Index	Standard	Part No. full set with tiewrap plates	Part No. full set without tiewrap plates	Dim. A [mm]	Dim. B [mm]	Number of teeth
1.	►	114.1.12PZ	114.1.12P	-	26,3	2
2.	►	114.2.12PZ	114.2.12P	10	36,3	3
3.	►	114.3.12PZ	114.3.12P	23	49,3	4
4.	►	114.4.12PZ	114.4.12P	35	61,3	5

Material mounting bracket - igumid G, temperature: -40° up to +120° C, VDE 0304 IIC UL94-HB



Part No. structure

- 114.2. 12 PZ A1** A...must be indicated on preassembled configurations
- With strain relief tiewrap plates
 - Full set pivoting**
 - Mounting bracket for selected width index