

12W EU Wall Plug Adapter

24V DC, 0.5A

multicomp PRO

**RoHS
Compliant**



Features

- European Fixed AC Head
- Level VI Efficiency
- CE Approved

Description

Class II 12 Watt AC/DC European plug-in power supplies provide 12 Watts of continuous power in a compact fixed wall plug enclosure suitable for use in many general power applications.

Specifications

Input Voltage Range	100V AC to 240V AC
Input Frequency Range	47Hz to 63Hz
Input Current Rated	0.4A Max
Output Voltage Rating	24V
Output Current Range	0.5A
Output Min Current	0.01A
Output Connection Type	2.1mm × 5.5mm × 12mm Centre Positive – Straight
Total Output Regulation	±5%
Line and Load Regulation	±5%
Ripple & Noise	240mVp-p
Efficiency	83.26%Min
Short-Circuit Protection	The adapter shall not be damaged by short the DC output to Ground. The adapter shall resume normal operation when a short circuited fault condition is removed.
Over Current Protection	The output shall be protected against the over current conditions.
Operating Temperature	0°C to +50°C
Storage Temperature	-20°C to +80°C
Operating Humidity	10% to 90%
Storage Humidity	10% to 90%
Hi-Pot	3000V AC 5mA 1min
Leakage Current	0.25mA max
Safety Standard	TUV, CE
EMI Standard	FCC part 15: Class B EN55022, Class B EN 55024 EN 61000-4-2 EN 61000-4-3 EN 61000-4-4 EN 61000-4-5

Newark.com/multicomp-pro
Farnell.com/multicomp-pro
Element14.com/multicomp-pro

multicomp PRO

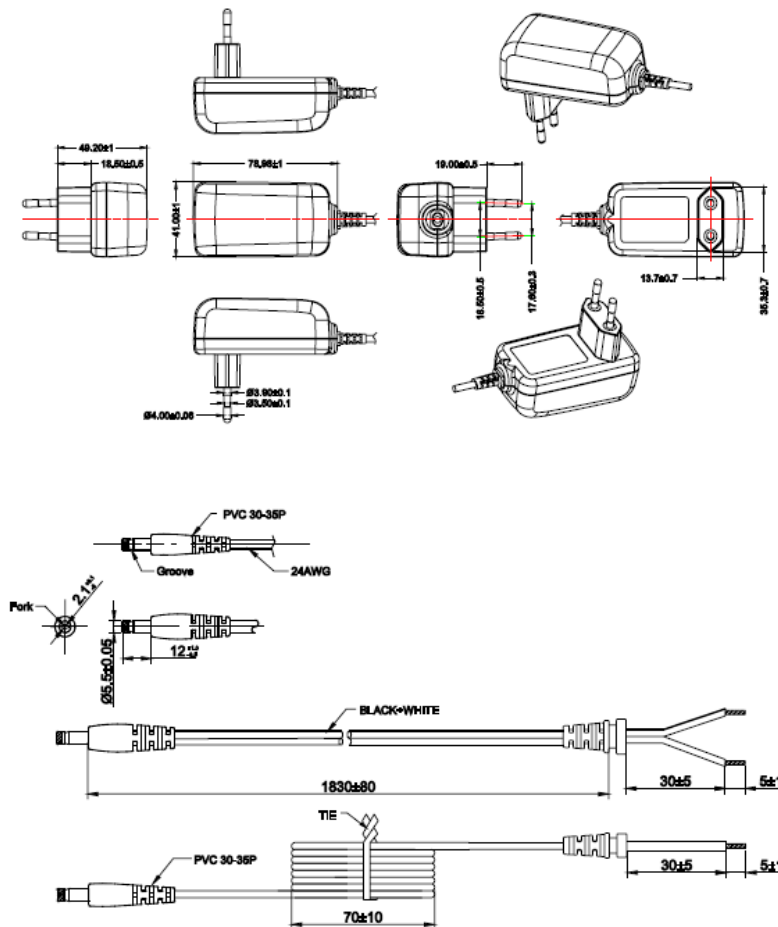
12W EU Wall Plug Adapter

24V DC, 0.5A

multicomp PRO

MTBF	50K Hours
Size mm max.	78.98 (L) × 41 (W) × 49.2 (H)
Weight	85 g
Regulator Type	Switched Mode Power Supply

Diagram



Dimensions : Millimetres

Part Number Table

Description	Part Number
Wall Plug Adapter, 12W, 24V DC, 0.5A, EU Plug	MP004776

Important Notice : This data sheet and its contents (the "Information") belong to the members of the AVNET group of companies (the "Group") or are licensed to it. No licence is granted for the use of it other than for information purposes in connection with the products to which it relates. No licence of any intellectual property rights is granted. The Information is subject to change without notice and replaces all data sheets previously supplied. The Information supplied is believed to be accurate but the Group assumes no responsibility for its accuracy or completeness, any error in or omission from it or for any use made of it. Users of this data sheet should check for themselves the Information and the suitability of the products for their purpose and not make any assumptions based on information included or omitted. Liability for loss or damage resulting from any reliance on the Information or use of it (including liability resulting from negligence or where the Group was aware of the possibility of such loss or damage arising) is excluded. This will not operate to limit or restrict the Group's liability for death or personal injury resulting from its negligence. Multicomp Pro is the registered trademark of Premier Farnell Limited 2019.

Newark.com/multicomp-pro
 Farnell.com/multicomp-pro
 Element14.com/multicomp-pro

multicomp PRO