

FEATURES

- Commonly used for fitting brackets to channel/strut
- Ideal fixing for drops of threaded rod
- Body made from A4 316 stainless steel
- Ideal for internal and external applications
- Comes with a short spring

RS PRO Channel Nut

RS Stock No.: 2216355, 2216353, 2216357

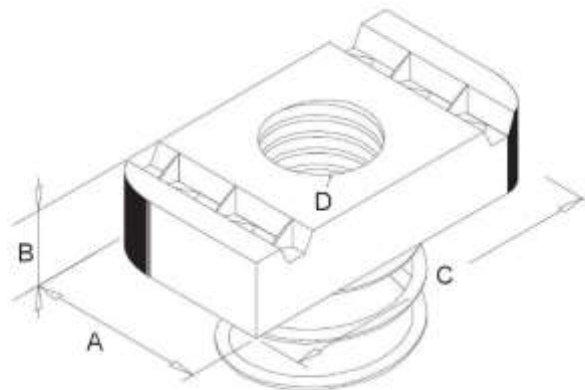


RS Professionally Approved Products bring to you professional quality parts across all product categories. Our product range has been tested by engineers and provides a comparable quality to the leading brands without paying a premium price.

Product Description

Channel nuts are commonly used for fitting brackets to channel/strut, and are the ideal fixing for drops of threaded rod. Made from A4 316 stainless steel, they are ideal for internal and external applications, including marine environments. Comes with a short spring. Also known as Zebedee nuts.

General Specifications



RS Stock No	Finish	A (mm)	B (mm)	C (mm)	D (mm)
2216355	316 Stainless Steel	19	6	35	6
2216357	316 Stainless Steel	19	6	35	8
2216353	316 Stainless Steel	19	8	35	10