

## Features

- 500:1 reduction ratio
- 35mm diameter
- Heavy duty construction
- 6 to 15V dc voltage rating

## RS PRO Brushed DC Geared Motor

RS Stock No.: 420-671



RS PRO Professionally Approved Products bring to you professional quality parts across all product categories. Our product range has been tested by engineers and provides a comparable quality to the leading brands without paying a premium price.

## Product Description

The RS PRO Brushed Gear Motor – A high quality and robust 3 pole brushed gear motor with a power rating of 19.8 W designed for model and heavy duty industrial applications. The brushed gear motor features a voltage rating of 4.5 to 15 V dc for compatibility with a range of power sources.

## General Specifications

Output Speed	23 rpm
Maximum Output Torque	6000 g.cm
DC Motor Type	Brushed
Shaft Diameter	6mm
Gearhead Type	Spur
Length	67.7mm
Width	35mm
Weight	165g

## Electrical Specifications

Power Rating	7.98 W
Current Rating	990 mA
Supply Voltage	23 rpm

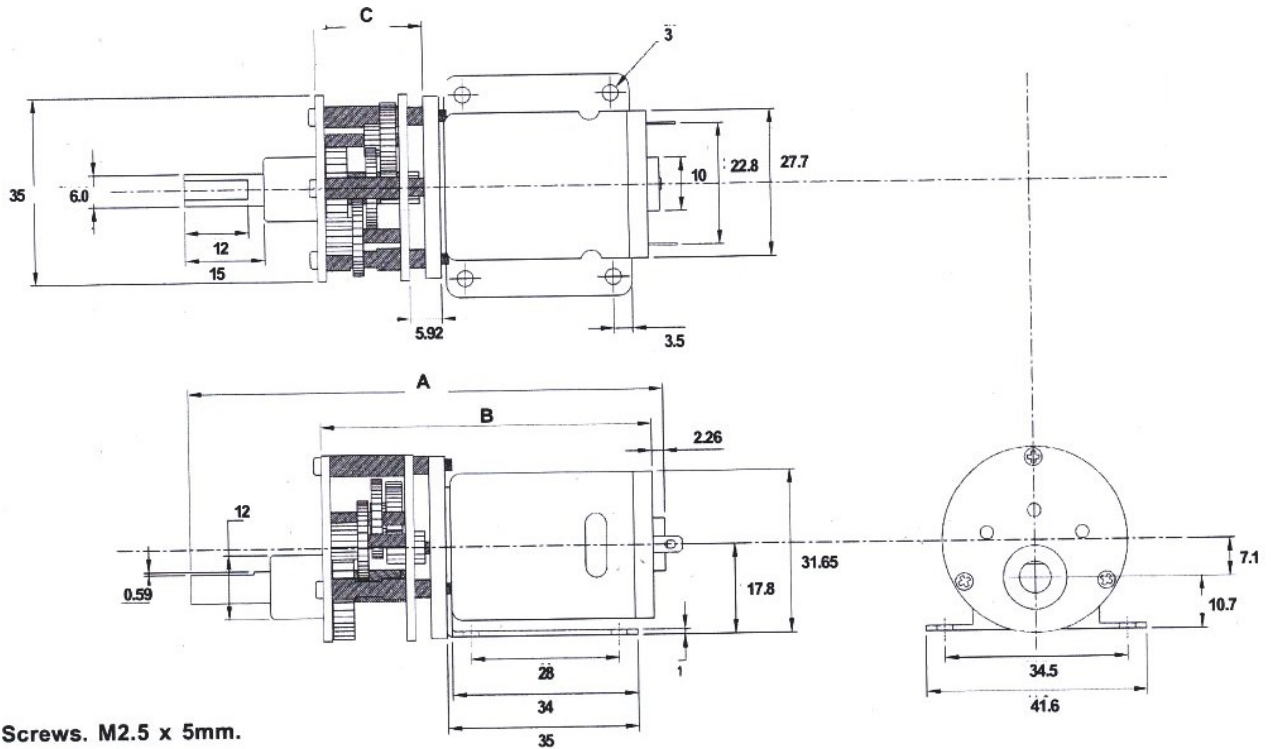
## Further Specifications

Gearbox Housing material	Metal
Backlash at no-load	< 2°
Bearing at output	Sleeve bearings
Radial load (10mm from flange)	< 1 kgf
Shaft axial load	< 0.7 kgf
Shaft press fit force max	< 20 kgf
Radial play of shaft	< 0.05mm
Thrust play of shaft	< 0.35mm

Reduction Ratio	Rated tolerance Torque	Max momentary Tolerance Torque	Efficiency
1/500	6.0 kgf-cm Max.	18.0 kgf-cm	53%

Reduction Table RPM	4.5v	6v	9v	12v	15v
SUPPLY VOLTAGE					
420-671	9	12	17	23	29

Note: Motor speeds may vary by (+) or (-) 12.5%



Screws. M2.5 x 5mm.

Ratio	A	B	C
500:1	94.7mm	67.7mm	25.9mm