



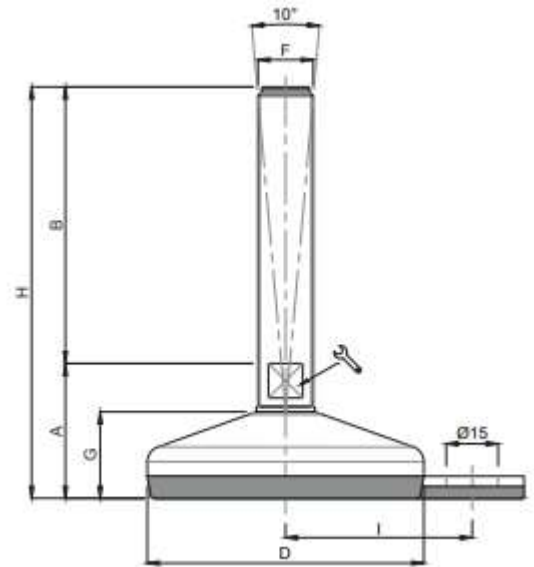
ENGLISH

RS PRO Stainless Steel Height Adjustable Bolt Down Mounts

The RS Pro Height Adjustable Bolt Down mounts are used for levelling and support in many applications including lathes, milling machines, machining centers and conveyor systems.

These mounts are specifically often used in food, packaging, beverage and pharmaceutical industries.

The base rubber is made of oil resistant NBR to an FDA approved standard, with 304 Stainless Steel.



Article Number	A (mm)	B (mm)	D (mm)	F	G (mm)	H (mm)	Static Load (kg)	Metal Type	Articulation (Degrees)
2245796	42	150	100	M16	28	192	1500	Stainless Steel 304	10
2245797	42	150	100	M20	28	192	1500	Stainless Steel 304	10
2245798	44	200	100	M24	28	244	1500	Stainless Steel 304	10
2245799	38	150	80	M16	25	188	1000	Stainless Steel 304	10
2245800	38	150	80	M20	25	188	1000	Stainless Steel 304	10