

Datasheet

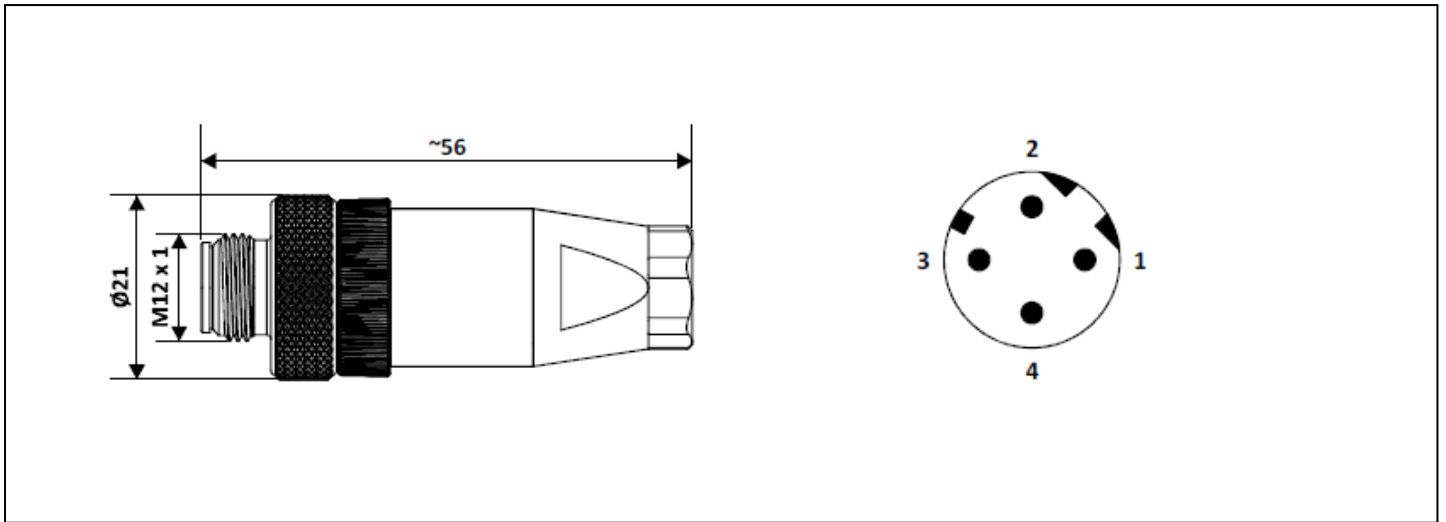
RS PRO M12 Male Straight 4 Pin D-Coded Screw Type Connector

Part No: 2017155

**Technical Specifications:**

Rated Operational Voltage	250 V
Current Rating	4 A
Insulation Resistance	≥100 MΩ
Temperature Range	-25° ... +75°C
Coding	D-Coded
Degree of Protection	IP67
Grip Material	Nylon 66
Contact	Cu-Zn
Contact Plating	Nickel-plated
Contact Carrier	Nylon 66
O-ring	Neoprene
Coupling Nut	Brass Nickel-Plated
Grip Colour	Black
Termination	Screw Type

Pole	4
Cable Gland	PG7



Quality Standard: IEC 61076-2-101



Type Approved
Safety
Regular Production
Surveillance



www.tuv.com
ID 1111210483

