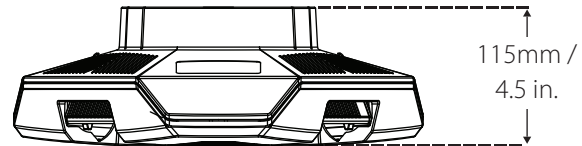
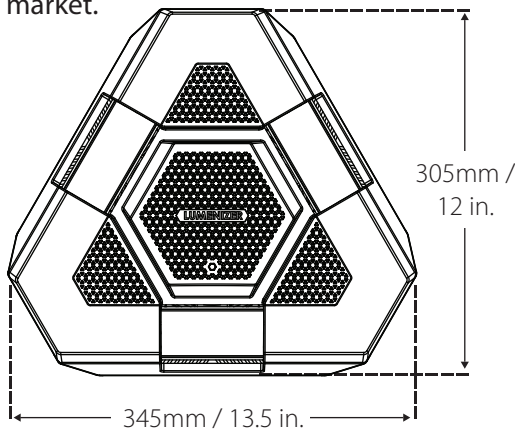
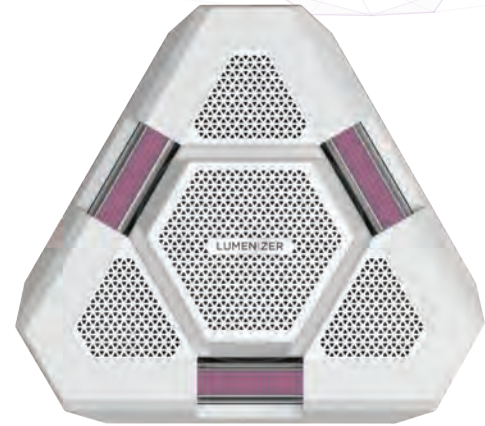


LUMENIZER™ 300

Product Description

Lumenlabs' patent pending Lumenizer™ 300 provides filtered germicidal ultraviolet (far-UVC) light to reduce SARS-COV-2 and other harmful virus and bacteria safely while people are in the room. The Lumenizer™ 300 is an effective, safe, efficient solution that is customizable and allows for adjustable angle for varying ceiling heights and desired intensity. Each Lumenizer™ 300 fixture can disinfect a 4m x 4m (13ft. x 13ft.) room with the most effective filtered Far-UVC solution on the market.



Safe

Safe to use in most environments.



Efficient

Inactivates 99.9% of pathogens in seconds.



Automated

Set it and forget it.



Versatile

Applicable in any indoor space.

What is Filtered Far-UVC?

Filtered Far-UVC light is a type of UVC light that is effective at destroying pathogens such as viruses like SARS-COV-2, bacteria, mold and spores in everyday spaces SAFELY while people are present.

Features & Benefits

- Safe
- Replaceable Bulb
- Adjustable Angle
- Ceiling & Wall Mount
- Continuous Disinfection
- Automated
- Ozone Neutral
- Efficient
- Versatile

Applications

- Schools
- Offices
- Hospitals
- Airports
- Restaurants
- Grocery Stores
- Hotels
- More

Contact us

(888) 586-3688
www.lumenlabs.com
contact@lumenlabs.com

PRODUCT SPECIFICATIONS

Overall Specs

- Application: Indoor Only
- IP Grade: IP20
- Ambient Temperature - operating: 0°C to 35°C (32°F to 95°F)
- Certifications: FCC, MET*
- Reports: IEC 62471
- ACGIH TLV Compliant
- Limited Manufacturers Warranty: 2 year fixture / 1 year bulb

Mechanical Specs

- Dimension: 345 x 305 x 115mm (13.5 x 12 x 4.5 in.)
- Mounting: Ceiling Mount / Wall Mount
- Housing: Plastic
- Bulb Type: 3 Lumenlabs Lpack-1A Excimer Bulb
- Weight: 2.1kgs (4.6lbs)

*In process and pending

Electrical Specs

- Input Voltage: Universal 100-240Vac
- Input Power: Typical 60w
- Input Frequency: 50-60Hz
- THD (Total Harmonic Distortion): 20% Maximum
- Fixture: >10,000hr | Bulb: >3,000hr

Disinfection Specs

- Far-UVC Irradiance at 2 meters: Typical 0.75uW/cm² (below TLV which is the limit for 8 hours exposure)
- 99.99% / 4-Log Reduction
- Peak Wave Length: 222nm
- Full Width at Half Maxima: 2nm
- Typical Startup Time: <1"
- Adjustable Angle Bulbs: 0-45 deg
- Mount Height: 2.5m to 5m (8.2ft to 16.4ft)
- Recommended Coverage Area: 4m x 4m (13ft x 13ft)

Disinfection Times

Pathogen: SARS-Cov-2
Disinfection: 99%

<p>10 seconds on areas 0.5m away from fixture.</p> <p>Other Disinfection Times: 15 seconds = 99.9% 20seconds = 99.99%</p>	<p>Coverage area approx: 0.8m² Dosage: 0.0108mW/cm²*</p>
<p>1.2 minutes on areas 1.5m away from fixture.</p> <p>Other Disinfection Times: 1.8 minutes = 99.9% 2.4 minutes = 99.99%</p>	<p>Coverage area approx: 7.1m² Dosage: 0.012mW/cm²*</p>
<p>3.4 minutes on areas 2.5m away from fixture.</p> <p>Other Disinfection Times: 5.1 minutes = 99.9% 6.8 minutes = 99.99%</p>	<p>Coverage area approx: 19.6m² Dosage: 0.004mW/cm²*</p>

*Disinfection time at center beam

Make An Informed Decision (For more safety warnings, visit www.lumenlabs.com/safety)

UV radiation can pose a risk of personal injury. Overexposure can result in damage to eyes and bare skin. To reduce risk of overexposure, equipment must be installed in accordance with manufacturer's site planning and application recommendations, including minimum ceiling height restrictions.

- Installation of the devices should be performed by qualified professionals and follow Lumenlabs' installation guide.
- Lumenlabs products and installation guidelines comply with IEC 62471, the Photobiological Safety of Lamps and Lamp Systems standards and American Conference of Governmental Industrial Hygienists (ACGIH®) TLVs® guidelines.
- Lumenlabs products are meant to be used in conjunction with other protective measures like manual cleaning and the use of proper PPE.
- Lumenlabs products are not intended for use as a medical device.
- If combining two or more UV solutions, whether from Lumenlabs, and/or other manufacturers, consult a trained product application representative to ensure the total irradiance (UV dose) does not exceed recommended human exposure limits.

DISINFECTION EFFICIENCY

Dosage for 99% / 2-Log
Disinfection (mJ/cm²)

Criteria: Dosage limit (mJ/cm²):
 Excellent <=10
 Good 10 -100
 Ok 100 -1000
 Weak >1000

Criteria: Time limit (mins):
 Instant <=0.5
 Fast 0.5 - 20
 Normal 20 -120
 Slow >120

		222nm	254nm	Filtered Far-UVC Performance	Average time required for disinfection (99%) (mins)	Disinfection (99%) speed
Virus	SARS-Cov-2	2	-	Excellent	4.2	Fast
	Influenza A virus	2	-	Excellent	4.2	Fast
	Corona virus alpha HCoV-229E	1	-	Excellent	2.1	Fast
	Corona virus beta HCoV-OC43	1	-	Excellent	2.1	Fast
Bacteria	Arthrobacter nicotinovorans	15	10	Good	31.3	Normal
	Bacillus cereus	11	7	Good	22.9	Normal
	Deinococcus radiodurans	57	142	Good	118.8	Normal
	Escherichia coli	7.7	5	Excellent	16.0	Fast
	Pseudomonas aeruginosa	4.8	2	Excellent	10.0	Fast
	Staphylococcus aureus	12	6	Good	25.0	Normal
	Yersinia enterocolitica	6	4	Excellent	12.5	Fast
	Salmonella Typhimurium	5	8	Excellent	10.4	Fast
	campylobacter jejuni	1	-	Excellent	2.1	Fast
	Clostridium sporogenes	8	-	Excellent	16.7	Fast
Spores	Bacillus subtilis	12	24	Good	25.0	Normal
	Clostridium pasteurianum	6	5	Excellent	12.5	Fast
	Penicillium expansum	33	38	Good	68.8	Normal
	Streptomyces griseus	17	13	Good	35.4	Normal
	Thermoactinomyces vulgaris	38	90	Good	79.2	Normal