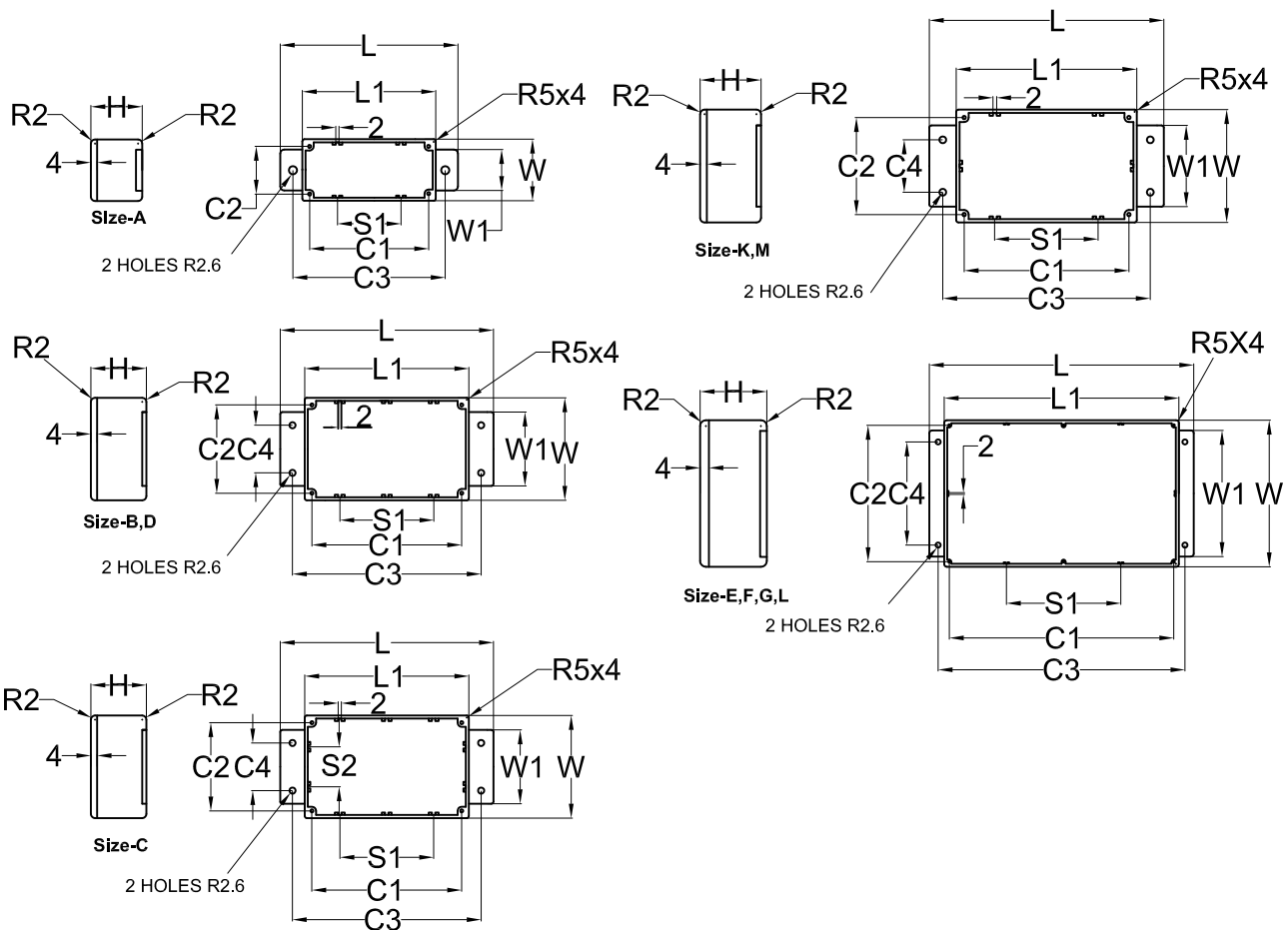




RS Stock No.517-3709
 RS Stock No.517-3715
 RS Stock No.517-3721
 RS Stock No.517-3737
 RS Stock No.517-3771
 RS Stock No.517-3793
 RS Stock No.517-3800
 RS Stock No.517-3759
 RS Stock No.517-3765
 RS Stock No.517-3743

IP65 Flanged high temperature boxes (without seal ,no coating)



RS Stock NO.	Size NO.	L	L1	W	W1	H	C1	C2	C3	C4	S1	S2	Wall Thickness
5173709	A	113.9	89.1	35.1	25.0	30.0	79.6	25.4			36.0		1.5mm
5173715	B	139.7	114.6	63.8	44.7	30.0	104.5	54.2	127.0	30.0	60.1		1.5mm
5173721	C	139.8	114.6	89.7	68.9	55.2	104.5	79.6	127.0	50.0	50.1	36.1	1.5mm
5173737	D	139.6	114.6	63.8	44.9	55.0	104.6	54.3	127.1	30.0	60.1		2mm
5173771	E	201.7	172.2	121.2	100.1	55.3	160.6	109.5	189.0	80.0	80.0		2mm
5173793	F	201.7	172.1	121.2	100.2	105.4	160.6	109.5	188.9	80.0	80.0		2mm
5173800	G	252.0	222.3	146.1	117.7	55.5	211.7	135.6	238.0	98.0	100.1		2mm
5173759	K	168.7	139.3	101.6	79.0	76.5	128.8	90.9	157.1	60.1	65.0		2mm
5173765	L	194.8	165.6	127.4	100.0	76.3	154.1	116.1	182.2	80.0	78.0		2mm
5173743	M	149.8	120.1	100.2	80.0	35.6	108.2	88.3	137.0	60.0	45.2		2mm

1. Material of the base and lid :Aluminium alloy ADC12
2. Material of the screws : Stainless M3.5x9mm Supadrive countersunk head
3. Finish:Natural plain
4. Taper 1.5° Per side lid to base