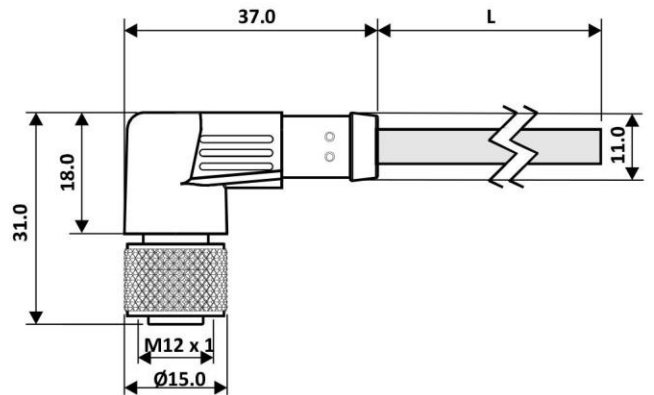


RS Pro M12 Connector Female RA,12W,2m,PUR

RS Stock No: 144-7671



All dimensions are in mm.

General Specification

Rated Operational Voltage	30 V
Current Rating	1.5A
Insulation Resistance	>= 100 MΩ
Temperature Range	-25°C ... +75°C
Degree of Protection	IP67

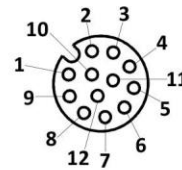
Material Specification

Grip Material	PU
Contact	Cu-Zn
Contact Plating	Gold Flash
Contact Carrier	Nylon 66
O-Ring	Neoprene
Grip Colour	Black
Coupling Nut	Zinc die-cast, nickel-plated

Cable Specification

Cable Length-L	2 m
Cable Type	12 Core PUR Multi Strand
Sheath Colour	Black
Cross Section of Wire	0.14 sq. mm
Core Dia	As per Manufacturer specs.
Cable Dia	As per Manufacturer specs.
Termination	Partially Stripped

Pin Assignment



Pin No.	Description
1	Brown
2	Blue
3	White
4	Green
5	Pink
6	Yellow
7	Black
8	Grey
9	Red
10	Violet
11	Grey / Pink
12	Red / Blue