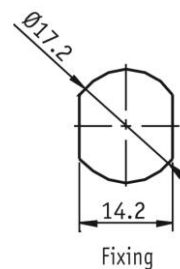
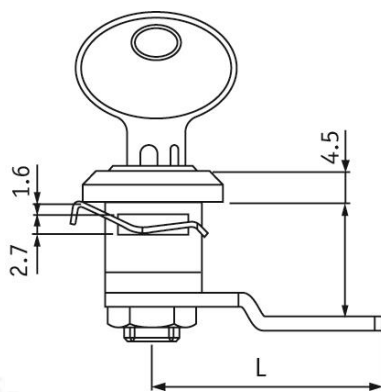


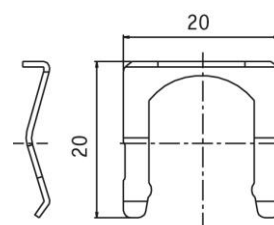
Datasheet

Mini Quarter Turn Locks

RS Stock No:146-1807



Blank dimension is
"Grip Range"



Thickness 0.7 mm



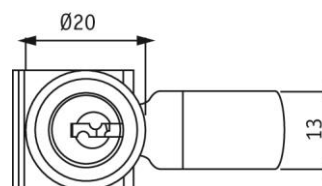
Specification

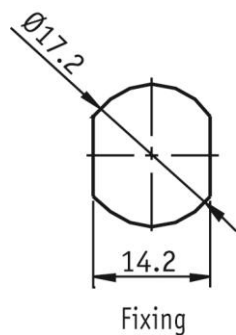
Die-cast Zinc alloy.

Chrome Plated.

Supplied with 2 euro Keys (5333).

Fixed with clip.





| Part Number | Type | Grip Range | L (mm) |
|-------------|------|------------|--------|
| 146-1805 | Clip | 13 | 31 |
| 146-1807 | Clip | 20 | 26 |

All dimensions in mm