

**RoHS
Compliant**

MCP Splice Connectors

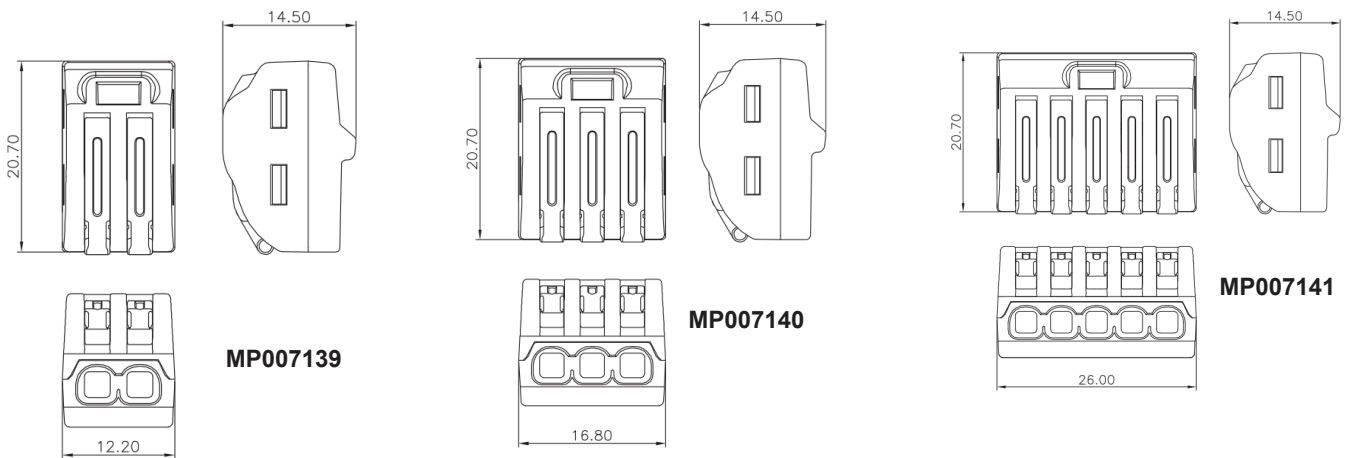
Dimensions			
Part Number	MP007139	MP007140	MP007141
Width	12.2mm	16.8mm	26mm
Height	14.5mm		
Depth	20.7mm		

Materials

Body	: Polycarbonate
Levers	: Polyamide 66
Terminals	: Tinned Copper

General Information

Conductor Cable Size Range	: 0.2mm ² to 4mm ² Stranded or Solid Core
Conductor Strip Length	: 10mm
Current Rating (Max)	: 32A
Voltage (Max)	: 450V~
Temperature Rating	: 85°C Max.
Flammability Rating	: UL94V-0



Part Number Table

Dimensions : Millimetres

Description	Part Number
Lever Wire Connector, 2 Pole, 32A, 450V, Transparent	MP007139
Lever Wire Connector, 3 Pole, 32A, 450V, Transparent	MP007140
Lever Wire Connector, 5 Pole, 32A, 450V, Transparent	MP007141

Important Notice : This data sheet and its contents (the "Information") belong to the members of the AVNET group of companies (the "Group") or are licensed to it. No licence is granted for the use of it other than for information purposes in connection with the products to which it relates. No licence of any intellectual property rights is granted. The Information is subject to change without notice and replaces all data sheets previously supplied. The Information supplied is believed to be accurate but the Group assumes no responsibility for its accuracy or completeness, any error in or omission from it or for any use made of it. Users of this data sheet should check for themselves the Information and the suitability of the products for their purpose and not make any assumptions based on information included or omitted. Liability for loss or damage resulting from any reliance on the Information or use of it (including liability resulting from negligence or where the Group was aware of the possibility of such loss or damage arising) is excluded. This will not operate to limit or restrict the Group's liability for death or personal injury resulting from its negligence. Multicomp Pro is the registered trademark of Premier Farnell Limited 2019.