

FEATURES

- Full Copper
- S/FTP
- LSZH
- Snagless
- 26AWG
- ANSI/TIA-568-C.2
- Gold Plated Contacts
- IEC 60332-1-2
- ISO/IEC 11801 ED.2
- CE
- UKCA
- ROHS
- REACH

RS PRO Green CAT 6A S/FTP LSZH Snagless Patch Lead 100% Copper

RS Stock No.:

2515151,2515146,2515178,2515169,2515189,
2515200,2515211,2515222,2515233,2515243



RS Professionally Approved Products bring to you professional quality parts across all product categories. Our product range has been tested by engineers and provides a comparable quality to the leading brands without paying a premium price.

Product Description

Category 6A Ethernet cable, commonly referred to as Cat6A, is a cable standard for 10 Gigabit Ethernet. The cable standard provides performance of up to 600MHz and is suitable for 10BASE-T, 100BASE-TX (Fast Ethernet), 1000BASE-T / 1000BASE-TX (Gigabit Ethernet) and 10GBASE-T (10 Gigabit Ethernet). It is backwards compatible with previous standards such as Cat6, Cat5e and Cat5.

- **LSZH:**

- low Smoke Zero Halogen cable reduces the amount of toxic and corrosive gas emitted during a fire.

- **Supports 10 Gigabit Ethernet / 10GBASE-T:**

- 10 Times faster than Gigabit Ethernet, 10GE (also called 10GbE or 10 GigE) supports a data rate of 10Gbits/s (billion bits per second).

- **S/FTP (or S/STP):**

- Screened and Foil (Shielded) Twisted Pair. Each individual pair is screened by foil and features an overall outer sheath. This shielding protects the cable from EMI (Electro-Magnetic Interference).

- **Snagless Connectors:**

- The connectors feature a “bubble” which protects the locking clip on the RJ45 from damage or being snapped off during transport or installation.

- **Flush Moulded Strain Relief:**

- The flush moulded design allows the patch cables to be installed side by side in high-density network switches. The strain relief allows the cables to move without damaging the cable or breaking away from the connector while it is plugged in a device

General Specifications

Connector A	RJ45 Male
Connector B	RJ45 Male
Length	25cm up to 20mtr
Outer Sheath Material	LSZH
Sheath Colour	Green
Shielding	S/FTP

Approvals

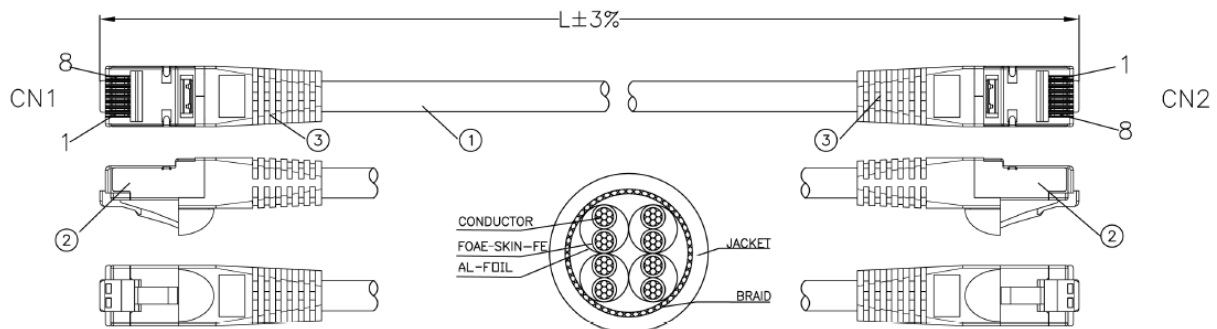
Declarations	CE UKCA REACH ROHS ANS/TIA-568-C.2 IEC 60332-1-2 ISO/IEC 11801 ED.2
Standards Met	CE UKCA REACH ROHS ANS/TIA-568-C.2 IEC 60332-1-2 ISO/IEC 11801 ED.2

Similar Products

Stock No.	Length	Spec	Colour
2515151	25cm	CAT 6A S/FTP LSZH	Green
2515146	0.5mtr	CAT 6A S/FTP LSZH	Green
2515178	1mtr	CAT 6A S/FTP LSZH	Green
2515169	1.5mtr	CAT 6A S/FTP LSZH	Green
2515189	2mtr	CAT 6A S/FTP LSZH	Green
2515200	3mtr	CAT 6A S/FTP LSZH	Green
2515211	5mtr	CAT 6A S/FTP LSZH	Green
2515222	10mtr	CAT 6A S/FTP LSZH	Green
2515233	15mtr	CAT 6A S/FTP LSZH	Green
2515243	20mtr	CAT 6A S/FTP LSZH	Green

Also available in our RS PRO range of CAT 6A cables are the colour options:

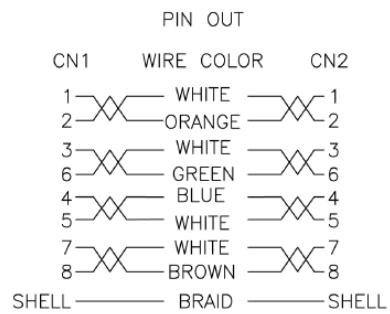
Grey, Blue, Orange, Black, Pink, Red, Violet, White and Yellow



MATERIAL LIST:

NO.	PARTS NAME	SPECIFICATION DESCRIPTION
①	CABLE	SSTP (26AWG*1PR+A)*4+B-H.SOH OD:5.8±0.2mm COLOR:Assorted upon request
②	RJ45 CONNECTOR	RJ45,8P8C,TWO FORK GOLD PLATED CONTACTS WITH METAL HOUSING
③	MOLDING PVC	MOLDING PVC 45P COLOR:Assorted upon request

Marking: SFTP CAT6A STRANDED 26AWG 4P LSZH PATCH ISO/IEC 11801 AND ANSI/TIA-568-C2



Working temperature:-20°C/+60°C
ELECTRONIC TEST:
A.OPEN/SHORT/INTERMITTENCE: 100%.

REMARK NO	CHA.NO	SIGNATURE	DATE	SIGN	W.T	SCALE	SSTP CAT6A 26AWG
DRAWN BY	Renzhi						
CHECKED BY							
AUDITED BY		APPROVED BY					