



Datasheet

RS PRO 80cm USB 2.0 A M – 3x Micro B 5 Pin Cable - Black

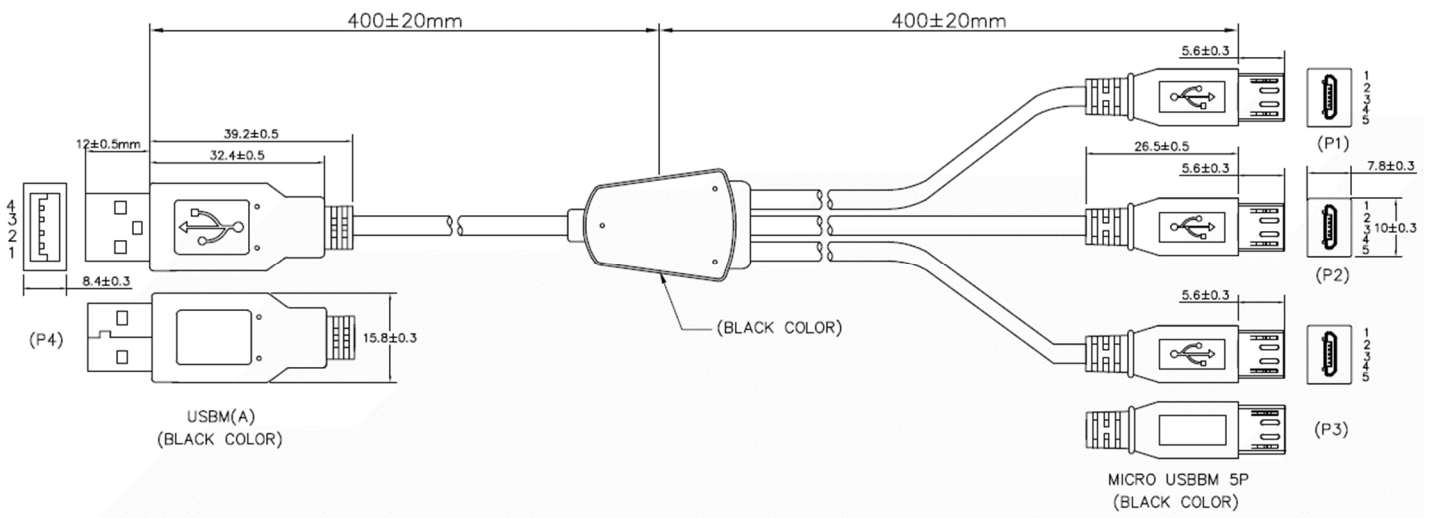
Stock number: 182-8909

EN

The RS PRO 80cm USB version 2.0 A male to three micro B males cable has a black PVC jacket and connector hoods. The cable flex has copper wire conductors and drain wire, with an aluminium braid, foil shielding and has an outer diameter of 4mm.

The connectors are nickel and have a strain relief to help avoid the cable splitting around the edge of the boot.

USB micro B ports are commonly found on portable devices such as phones, cameras and portable hard disks.



USBAM	1	2	3	4	64
MICRO USBBM 5P	1	2	3	5	64
MICRO USBBM 5P	1	2	3	5	64
MICRO USBBM 5P	1	2	3	5	64
	RED	WHITE	GREEN	BLACK	DRAIN
	PAIR				

- CABLE: UL2725,AL+B-FOIL,#28*1P+#28*2C,BLACK COLOR OD=4.0±0.2mm,PVC JACKET.
- LENGTH: L=0.8M.
- CONNECTORS: USBAM*1PCS(WHITE INSULATOR)*1PCS(SHELL NICKEL).
MICRO USBBM 5P*3PCS(BLACK INSULATOR)*1PCS(SHELL NICKEL).
- MOLD: MOLDING 45P PVC TYPE.
- CONTACTS
- OPEN/SHORT TEST: 100% TEST.
A.100% OPEN,SHORT&INTERMITANCE TEST.
B.CONDUCTOR RESISTANCE: 3ohms MAX.
C.INSULATION RESISTANCE:5M Min/,DC300V 10ms:
- ALL MUST BE MEET ON ROHS COMPLIANT.

RoHS / REACH / CE

