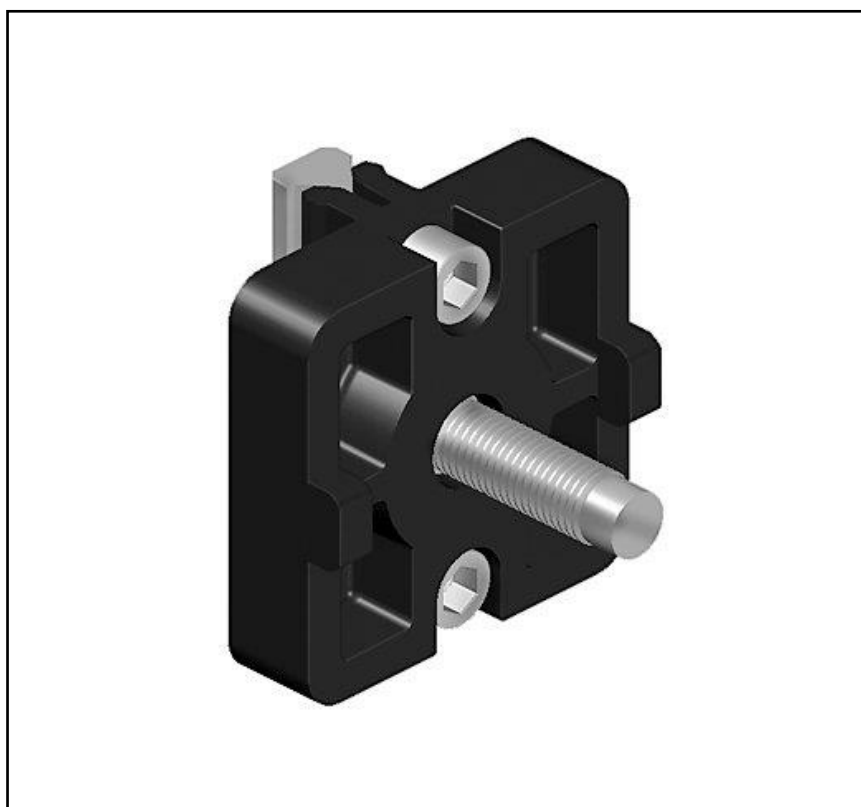


FEATURES

- Allows for a sturdy connection to tee connect two aluminum profiles
- Zinc plated steel fittings included

RS PRO Connection Plate and fittings, strut profile 40mm, groove size 8mm

RS Stock No.: 2384450



RS Professionally Approved Products bring to you professional quality parts across all product categories. Our product range has been tested by engineers and provides a comparable quality to the leading brands without paying a premium price.

Product Description

RS PRO offers this great connecting plate and fittings to fit 40mm strut profiles with a groove size of 8mm. These connecting plates allow a secure T-Connection between two structural strut profiles.

The connecting plates are compatible with a range of profiles.

RS PRO Aluminium Strut – 40x40 mm, 8mm Grove, 1000 mm Length – [761-3319](#)

RS PRO Aluminium Strut - 40x40 mm, 8 mm Groove, 2000 mm Length – [761-3313](#)

RS PRO Aluminium Strut - 40x40 mm, 8 mm Groove, 3000 mm Length – [761-3322](#)

General Specifications

Product Family	RS Structural System
Product System	40
Structural Element Type	Connector Bracket & Joint
Connector Type	Connection Plate
Material	Plastic PA, glass fibre reinforced
Set Contains	1 plate connector 1 wedge (zinc plated steel, 2-cylinder head screws (M4 x 14, zinc plated steel) 1 self-tapping screw (SF7 x 25 with hexagon socket, zinc plated screw)
Applications	Guarding enclosures, work benches, general enclosures and other workplace fixtures

Mechanical Specifications

Fits Groove Size	8mm
Fits Strut Profile	40mm

Approvals

compliance/Certifications	EN61340
----------------------------------	---------

Connecting Components

