



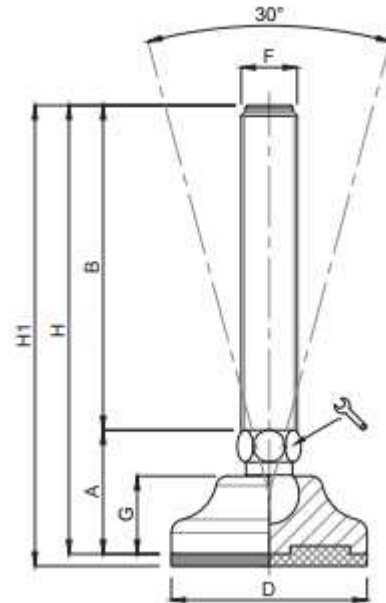
ENGLISH

## RS PRO Mild Steel Height Adjustable Plastic Mounts

The RS Pro Height Adjustable mounts are used for levelling and support in many applications including food processing units, packing systems and conveyor systems.

The Plastic Foot base is made from a black polyamide material, reinforced by fiber glass, along with the a Mild Steel.

These mounts have 30 degree articulation capabilities.



Article Number	A (mm)	B (mm)	D (mm)	F	G (mm)	H (mm)	Static Load (kg)	Metal Type	Articulation (Degrees)
2245785	27	25	40	M6	16	52	500	Mild Steel	30
2245786	27	50	40	M6	16	77	500	Mild Steel	30
2245787	27	25	40	M8	16	52	1000	Mild Steel	30