

RoHS
Compliant



Description

The resistors are constructed in a high grade ceramic body (aluminum oxide). Internal metal electrodes are added at each end and connected by a resistive layer that is applied to the top surface of the substrate. The composition of the resistive layer is adjusted to give the approximate resistance required and the value is trimmed to nominated value within tolerance which controlled by laser trimming of this resistive layer.

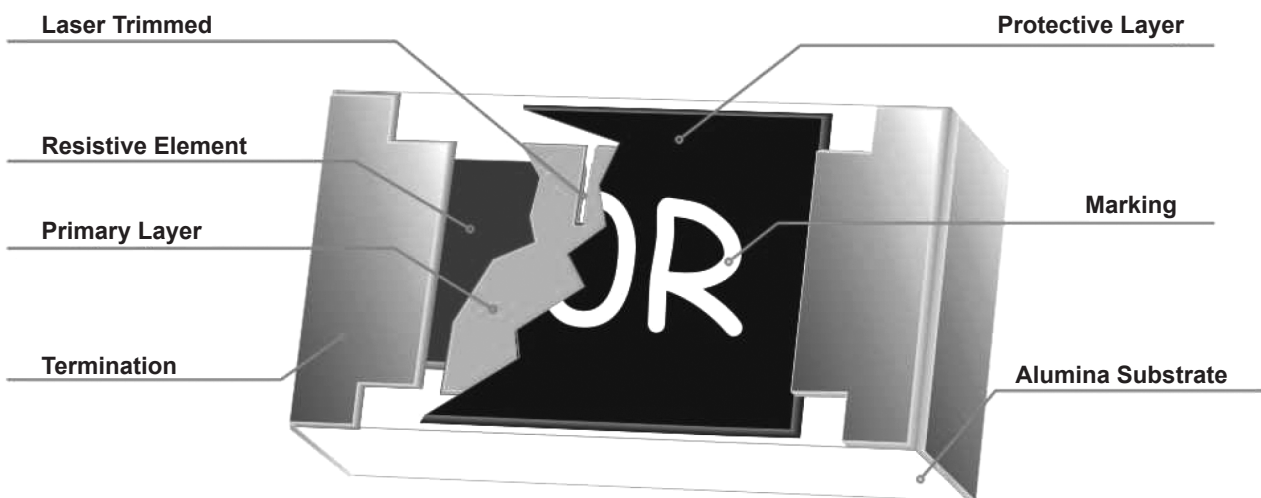
The resistive layer is covered with a protective coat. Finally, the two external end terminations are added. For environmental soldering issue, the outer layer of these end terminations is a Lead-free solder.

Features:

- SMD metal film resistor
- High reliability and stability of 0.25% and below per customer request
- High performance of TCR: 10ppm/K and below per customer request
- Low current noise

Application:

- Medical equipment
- Measuring instrument
- Communication device
- Computer
- Printer



Quick Reference Data

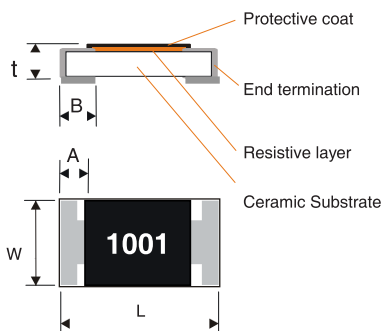
| Item | General Specification | |
|------------------------------------|------------------------------|-----------------------------|
| Series No. | MCWF06W | MCWF08W |
| Size code | 0603 (1608) | 0805 (2012) |
| Resistance Tolerance | ±0.5%, ±0.25%, ±0.1%, ±0.05% | |
| Resistance Range | 25Ω to 100kΩ (E24 +E192) | 25Ω to 200kΩ (E24 +E192) |
| TCR (ppm/°C) | ±10 ppm/°C | |
| Max. dissipation at Tamb = 70°C | 1/10W | 1/8W |
| Max. Operation Voltage (DC or RMS) | 50V | 100V |
| Max. Overload Voltage (DC or RMS) | 100V | 200V |
| Operation temperature | -55°C to +155°C | |

Note :

1. This is the maximum voltage that may be continuously supplied to the resistor element, see “IEC publication 60115-8”
2. Max. Operation Voltage : So called RCWV (Rated Continuous Working Voltage) is determined by

$$\sqrt{RCWV} = \sqrt{\text{Rated Power} \times \text{Resistance Value}}$$
 or Max. RCWV listed above, whichever is lower.
3. Tolerance ±0.05% is upon requested.

Dimensions:



| Type | MCWF06W | MCWF08W |
|------|------------|------------|
| L | 1.55 ±0.1 | 2 ± 0.1 |
| W | 0.80 ±0.1 | 1.25 ± 0.1 |
| A | 0.25 ±0.15 | 0.25 ± 0.2 |
| B | 0.3 ±0.15 | 0.4 ± 0.2 |
| t | 0.45 ±0.15 | 0.5 ± 0.15 |

Dimensions : Millimetres

Marking

- 3-digits marking for 0603 size
MCWFxxW has same marking rule as WRxx ±1%.
- 4-digits marking for 0805 size

For E24+E96, each resistor is marked with a four digits code on the protective coating to designate the nominal resistance value. For values below 97Ω 6 the R is used as a digit. For values of 100Ω or greater, the first 3 digits are significant, the fourth digit indicates the number of multiple to follow.

Example :

| | | | |
|-------------------------|-------|--------|---------|
| Resistance | 100Ω | 6,800Ω | 47,000Ω |
| 4-digits marking | 1,000 | 6,801 | 4,702 |

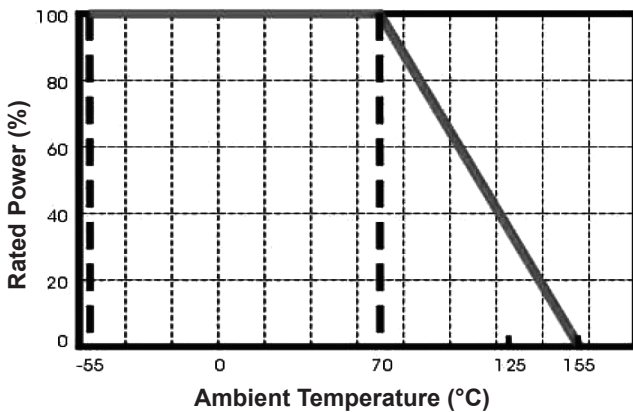
Functional Description

Product characterization

Standard values of nominal resistance are taken from the E24 & E192 series for resistors with a tolerance of $\pm 0.5\%$, $\pm 0.25\%$, $\pm 0.1\%$. The values of the E24/E192 series are in accordance with "IEC publication 60063".

Derating Curve

The power that the resistor can dissipate depends on the operating temperature



Mounting

Due to their rectangular shapes and small tolerances, Surface Mountable Resistors are suitable for handling by automatic placement systems.

Chip placement can be on ceramic substrates and printed-circuit boards (PCBs).

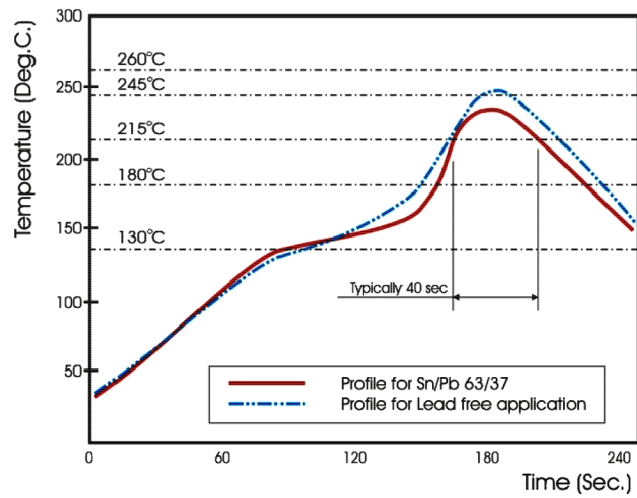
Electrical connection to the circuit is by individual soldering condition.

The end terminations guarantee a reliable contact.

Soldering Condition

The robust construction of chip resistors allows them to be completely immersed in a solder bath of 260°C for 10 seconds. Therefore, it is possible to mount Surface Mount Resistors on one side of a PCB and other discrete components on the reverse (mixed PCBs).

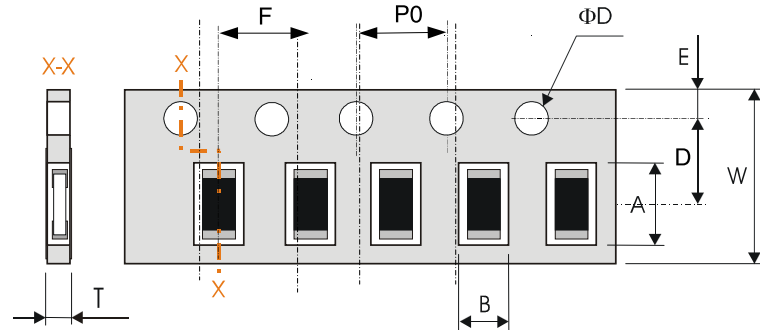
Surface Mount Resistors are tested for solderability at 235°C during 2 seconds within lead-free solder bath. The test condition for no leaching is 260°C for 30 seconds. Typical examples of soldering processes that provide reliable joints without any damage are given in below drawing.



Infrared soldering profile for Chip Resistors

Packaging

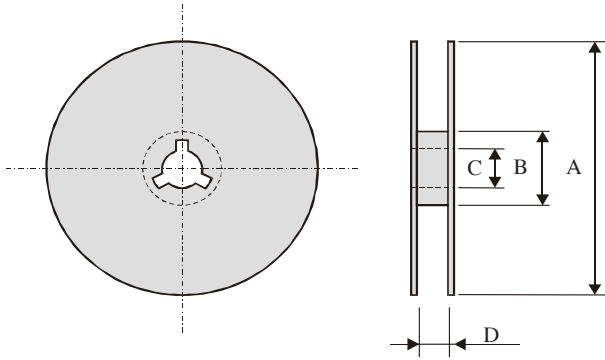
Paper Tape specifications



| Series No. | A | B | W | D | E | F | P0 | ØD | T |
|------------|----------|-----------|--------|----------|-----------|--------|--------|--------------------------------------|------------|
| MCWF06 | 1.9 ±0.2 | 1.1 ±0.2 | 8 ±0.3 | 3.5 ±0.2 | 1.75 ±0.1 | 4 ±0.1 | 4 ±0.1 | Ø1.5 ^{+0.1} _{-0.0} | 0.65 ±0.05 |
| MCWF08 | 2.4 ±0.2 | 1.65 ±0.2 | 8 ±0.3 | 3.5 ±0.2 | 1.75 ±0.1 | 4 ±0.1 | 4 ±0.1 | Ø1.5 ^{+0.1} _{-0.0} | Max. 1 |

Dimensions : Millimetres

Reel dimensions



| A | B | C | D |
|---------|--------|---------|--------|
| Ø178 ±2 | Ø60 ±1 | 13 ±0.2 | 9 ±0.5 |

Dimensions : Millimetres

Taping quantity

Chip resistors 5,000 pcs per reel (MCWF06W & MCWF08W)

Part Number Table

| Description | Part Number |
|----------------------------------|----------------|
| Resistor, 0603, 1K02, 0.1%, 0.1W | MCWF06W1021BTL |
| Resistor, 0603, 10K2, 0.1%, 0.1W | MCWF06W1022BTL |
| Resistor, 0603, 1K05, 0.1%, 0.1W | MCWF06W1051BTL |
| Resistor, 0603, 10K5, 0.1%, 0.1W | MCWF06W1052BTL |
| Resistor, 0603, 1K07, 0.1%, 0.1W | MCWF06W1071BTL |
| Resistor, 0603, 10K7, 0.1%, 0.1W | MCWF06W1072BTL |
| Resistor, 0603, 1K13, 0.1%, 0.1W | MCWF06W1131BTL |
| Resistor, 0603, 11K3, 0.1%, 0.1W | MCWF06W1132BTL |
| Resistor, 0603, 1K15, 0.1%, 0.1W | MCWF06W1151BTL |
| Resistor, 0603, 11K5, 0.1%, 0.1W | MCWF06W1152BTL |
| Resistor, 0603, 1K18, 0.1%, 0.1W | MCWF06W1181BTL |
| Resistor, 0603, 11K8, 0.1%, 0.1W | MCWF06W1182BTL |
| Resistor, 0603, 1K21, 0.1%, 0.1W | MCWF06W1211BTL |
| Resistor, 0603, 12K1, 0.1%, 0.1W | MCWF06W1212BTL |
| Resistor, 0603, 1K24, 0.1%, 0.1W | MCWF06W1241BTL |
| Resistor, 0603, 12K4, 0.1%, 0.1W | MCWF06W1242BTL |
| Resistor, 0603, 1K27, 0.1%, 0.1W | MCWF06W1271BTL |
| Resistor, 0603, 12K7, 0.1%, 0.1W | MCWF06W1272BTL |
| Resistor, 0603, 1K33, 0.1%, 0.1W | MCWF06W1331BTL |
| Resistor, 0603, 13K3, 0.1%, 0.1W | MCWF06W1332BTL |

| Description | Part Number |
|----------------------------------|----------------|
| Resistor, 0603, 1K37, 0.1%, 0.1W | MCWF06W1371BTL |
| Resistor, 0603, 13K7, 0.1%, 0.1W | MCWF06W1372BTL |
| Resistor, 0603, 1K40, 0.1%, 0.1W | MCWF06W1401BTL |
| Resistor, 0603, 14K0, 0.1%, 0.1W | MCWF06W1402BTL |
| Resistor, 0603, 1K43, 0.1%, 0.1W | MCWF06W1431BTL |
| Resistor, 0603, 14K3, 0.1%, 0.1W | MCWF06W1432BTL |
| Resistor, 0603, 1K47, 0.1%, 0.1W | MCWF06W1471BTL |
| Resistor, 0603, 14K7, 0.1%, 0.1W | MCWF06W1472BTL |
| Resistor, 0603, 1K54, 0.1%, 0.1W | MCWF06W1541BTL |
| Resistor, 0603, 15K4, 0.1%, 0.1W | MCWF06W1542BTL |
| Resistor, 0603, 1K58, 0.1%, 0.1W | MCWF06W1581BTL |
| Resistor, 0603, 15K8, 0.1%, 0.1W | MCWF06W1582BTL |
| Resistor, 0603, 1K62, 0.1%, 0.1W | MCWF06W1621BTL |
| Resistor, 0603, 16K2, 0.1%, 0.1W | MCWF06W1622BTL |
| Resistor, 0603, 1K65, 0.1%, 0.1W | MCWF06W1651BTL |
| Resistor, 0603, 16K5, 0.1%, 0.1W | MCWF06W1652BTL |
| Resistor, 0603, 1K69, 0.1%, 0.1W | MCWF06W1691BTL |
| Resistor, 0603, 16K9, 0.1%, 0.1W | MCWF06W1692BTL |
| Resistor, 0603, 1K74, 0.1%, 0.1W | MCWF06W1741BTL |
| Resistor, 0603, 17K4, 0.1%, 0.1W | MCWF06W1742BTL |

| Description | Part Number |
|----------------------------------|----------------|
| Resistor, 0603, 1K78, 0.1%, 0.1W | MCWF06W1781BTL |
| Resistor, 0603, 17K8, 0.1%, 0.1W | MCWF06W1782BTL |
| Resistor, 0603, 1K82, 0.1%, 0.1W | MCWF06W1821BTL |
| Resistor, 0603, 18K2, 0.1%, 0.1W | MCWF06W1822BTL |
| Resistor, 0603, 1K87, 0.1%, 0.1W | MCWF06W1871BTL |
| Resistor, 0603, 18K7, 0.1%, 0.1W | MCWF06W1872BTL |
| Resistor, 0603, 1K91, 0.1%, 0.1W | MCWF06W1911BTL |
| Resistor, 0603, 19K1, 0.1%, 0.1W | MCWF06W1912BTL |
| Resistor, 0603, 1K96, 0.1%, 0.1W | MCWF06W1961BTL |
| Resistor, 0603, 19K6, 0.1%, 0.1W | MCWF06W1962BTL |
| Resistor, 0603, 2K05, 0.1%, 0.1W | MCWF06W2051BTL |
| Resistor, 0603, 20K5, 0.1%, 0.1W | MCWF06W2052BTL |
| Resistor, 0603, 2K10, 0.1%, 0.1W | MCWF06W2101BTL |
| Resistor, 0603, 21K0, 0.1%, 0.1W | MCWF06W2102BTL |
| Resistor, 0603, 2K15, 0.1%, 0.1W | MCWF06W2151BTL |
| Resistor, 0603, 21K5, 0.1%, 0.1W | MCWF06W2152BTL |
| Resistor, 0603, 2K21, 0.1%, 0.1W | MCWF06W2211BTL |
| Resistor, 0603, 22K1, 0.1%, 0.1W | MCWF06W2212BTL |
| Resistor, 0603, 2K26, 0.1%, 0.1W | MCWF06W2261BTL |
| Resistor, 0603, 22K6, 0.1%, 0.1W | MCWF06W2262BTL |
| Resistor, 0603, 2K32, 0.1%, 0.1W | MCWF06W2321BTL |
| Resistor, 0603, 23K2, 0.1%, 0.1W | MCWF06W2322BTL |
| Resistor, 0603, 2K37, 0.1%, 0.1W | MCWF06W2371BTL |
| Resistor, 0603, 23K7, 0.1%, 0.1W | MCWF06W2372BTL |
| Resistor, 0603, 2K43, 0.1%, 0.1W | MCWF06W2431BTL |
| Resistor, 0603, 24K3, 0.1%, 0.1W | MCWF06W2432BTL |
| Resistor, 0603, 2K49, 0.1%, 0.1W | MCWF06W2491BTL |
| Resistor, 0603, 24K9, 0.1%, 0.1W | MCWF06W2492BTL |
| Resistor, 0603, 2K55, 0.1%, 0.1W | MCWF06W2551BTL |
| Resistor, 0603, 25K5, 0.1%, 0.1W | MCWF06W2552BTL |
| Resistor, 0603, 2K61, 0.1%, 0.1W | MCWF06W2611BTL |
| Resistor, 0603, 26K1, 0.1%, 0.1W | MCWF06W2612BTL |
| Resistor, 0603, 2K67, 0.1%, 0.1W | MCWF06W2671BTL |
| Resistor, 0603, 26K7, 0.1%, 0.1W | MCWF06W2672BTL |
| Resistor, 0603, 2K74, 0.1%, 0.1W | MCWF06W2741BTL |
| Resistor, 0603, 27K4, 0.1%, 0.1W | MCWF06W2742BTL |
| Resistor, 0603, 2K80, 0.1%, 0.1W | MCWF06W2801BTL |

| Description | Part Number |
|----------------------------------|----------------|
| Resistor, 0603, 28K0, 0.1%, 0.1W | MCWF06W2802BTL |
| Resistor, 0603, 2K87, 0.1%, 0.1W | MCWF06W2871BTL |
| Resistor, 0603, 28K7, 0.1%, 0.1W | MCWF06W2872BTL |
| Resistor, 0603, 2K94, 0.1%, 0.1W | MCWF06W2941BTL |
| Resistor, 0603, 29K4, 0.1%, 0.1W | MCWF06W2942BTL |
| Resistor, 0603, 3K01, 0.1%, 0.1W | MCWF06W3011BTL |
| Resistor, 0603, 30K1, 0.1%, 0.1W | MCWF06W3012BTL |
| Resistor, 0603, 3K09, 0.1%, 0.1W | MCWF06W3091BTL |
| Resistor, 0603, 30K9, 0.1%, 0.1W | MCWF06W3092BTL |
| Resistor, 0603, 3K16, 0.1%, 0.1W | MCWF06W3161BTL |
| Resistor, 0603, 31K6, 0.1%, 0.1W | MCWF06W3162BTL |
| Resistor, 0603, 3K24, 0.1%, 0.1W | MCWF06W3241BTL |
| Resistor, 0603, 32K4, 0.1%, 0.1W | MCWF06W3242BTL |
| Resistor, 0603, 3K32, 0.1%, 0.1W | MCWF06W3321BTL |
| Resistor, 0603, 33K2, 0.1%, 0.1W | MCWF06W3322BTL |
| Resistor, 0603, 3K40, 0.1%, 0.1W | MCWF06W3401BTL |
| Resistor, 0603, 34K0, 0.1%, 0.1W | MCWF06W3402BTL |
| Resistor, 0603, 3K48, 0.1%, 0.1W | MCWF06W3481BTL |
| Resistor, 0603, 34K8, 0.1%, 0.1W | MCWF06W3482BTL |
| Resistor, 0603, 3K57, 0.1%, 0.1W | MCWF06W3571BTL |
| Resistor, 0603, 35K7, 0.1%, 0.1W | MCWF06W3572BTL |
| Resistor, 0603, 3K65, 0.1%, 0.1W | MCWF06W3651BTL |
| Resistor, 0603, 36K5, 0.1%, 0.1W | MCWF06W3652BTL |
| Resistor, 0603, 3K74, 0.1%, 0.1W | MCWF06W3741BTL |
| Resistor, 0603, 37K4, 0.1%, 0.1W | MCWF06W3742BTL |
| Resistor, 0603, 3K83, 0.1%, 0.1W | MCWF06W3831BTL |
| Resistor, 0603, 38K3, 0.1%, 0.1W | MCWF06W3832BTL |
| Resistor, 0603, 3K92, 0.1%, 0.1W | MCWF06W3921BTL |
| Resistor, 0603, 39K2, 0.1%, 0.1W | MCWF06W3922BTL |
| Resistor, 0603, 4K02, 0.1%, 0.1W | MCWF06W4021BTL |
| Resistor, 0603, 40K2, 0.1%, 0.1W | MCWF06W4022BTL |
| Resistor, 0603, 4K12, 0.1%, 0.1W | MCWF06W4121BTL |
| Resistor, 0603, 41K2, 0.1%, 0.1W | MCWF06W4122BTL |
| Resistor, 0603, 4K22, 0.1%, 0.1W | MCWF06W4221BTL |
| Resistor, 0603, 42K2, 0.1%, 0.1W | MCWF06W4222BTL |
| Resistor, 0603, 4K32, 0.1%, 0.1W | MCWF06W4321BTL |
| Resistor, 0603, 43K2, 0.1%, 0.1W | MCWF06W4322BTL |

| Description | Part Number |
|----------------------------------|----------------|
| Resistor, 0603, 4K42, 0.1%, 0.1W | MCWF06W4421BTL |
| Resistor, 0603, 44K2, 0.1%, 0.1W | MCWF06W4422BTL |
| Resistor, 0603, 4K53, 0.1%, 0.1W | MCWF06W4531BTL |
| Resistor, 0603, 45K3, 0.1%, 0.1W | MCWF06W4532BTL |
| Resistor, 0603, 4K64, 0.1%, 0.1W | MCWF06W4641BTL |
| Resistor, 0603, 46K4, 0.1%, 0.1W | MCWF06W4642BTL |
| Resistor, 0603, 4K75, 0.1%, 0.1W | MCWF06W4751BTL |
| Resistor, 0603, 47K5, 0.1%, 0.1W | MCWF06W4752BTL |
| Resistor, 0603, 4K87, 0.1%, 0.1W | MCWF06W4871BTL |
| Resistor, 0603, 48K7, 0.1%, 0.1W | MCWF06W4872BTL |
| Resistor, 0603, 4K99, 0.1%, 0.1W | MCWF06W4991BTL |
| Resistor, 0603, 49K9, 0.1%, 0.1W | MCWF06W4992BTL |
| Resistor, 0603, 5K11, 0.1%, 0.1W | MCWF06W5111BTL |
| Resistor, 0603, 51K1, 0.1%, 0.1W | MCWF06W5112BTL |
| Resistor, 0603, 5K23, 0.1%, 0.1W | MCWF06W5231BTL |
| Resistor, 0603, 52K3, 0.1%, 0.1W | MCWF06W5232BTL |
| Resistor, 0603, 5K36, 0.1%, 0.1W | MCWF06W5361BTL |
| Resistor, 0603, 53K6, 0.1%, 0.1W | MCWF06W5362BTL |
| Resistor, 0603, 5K49, 0.1%, 0.1W | MCWF06W5491BTL |
| Resistor, 0603, 54K9, 0.1%, 0.1W | MCWF06W5492BTL |
| Resistor, 0603, 5K62, 0.1%, 0.1W | MCWF06W5621BTL |
| Resistor, 0603, 56K2, 0.1%, 0.1W | MCWF06W5622BTL |
| Resistor, 0603, 5K76, 0.1%, 0.1W | MCWF06W5761BTL |
| Resistor, 0603, 57K6, 0.1%, 0.1W | MCWF06W5762BTL |
| Resistor, 0603, 5K90, 0.1%, 0.1W | MCWF06W5901BTL |
| Resistor, 0603, 59K0, 0.1%, 0.1W | MCWF06W5902BTL |
| Resistor, 0603, 6K04, 0.1%, 0.1W | MCWF06W6041BTL |
| Resistor, 0603, 60K4, 0.1%, 0.1W | MCWF06W6042BTL |
| Resistor, 0603, 6K19, 0.1%, 0.1W | MCWF06W6191BTL |
| Resistor, 0603, 61K9, 0.1%, 0.1W | MCWF06W6192BTL |
| Resistor, 0603, 6K34, 0.1%, 0.1W | MCWF06W6341BTL |
| Resistor, 0603, 63K4, 0.1%, 0.1W | MCWF06W6342BTL |
| Resistor, 0603, 6K49, 0.1%, 0.1W | MCWF06W6491BTL |
| Resistor, 0603, 64K9, 0.1%, 0.1W | MCWF06W6492BTL |
| Resistor, 0603, 6K65, 0.1%, 0.1W | MCWF06W6651BTL |
| Resistor, 0603, 66K5, 0.1%, 0.1W | MCWF06W6652BTL |
| Resistor, 0603, 6K81, 0.1%, 0.1W | MCWF06W6811BTL |

| Description | Part Number |
|------------------------------------|----------------|
| Resistor, 0603, 68K1, 0.1%, 0.1W | MCWF06W6812BTL |
| Resistor, 0603, 6K98, 0.1%, 0.1W | MCWF06W6981BTL |
| Resistor, 0603, 69K8, 0.1%, 0.1W | MCWF06W6982BTL |
| Resistor, 0603, 7K15, 0.1%, 0.1W | MCWF06W7151BTL |
| Resistor, 0603, 71K5, 0.1%, 0.1W | MCWF06W7152BTL |
| Resistor, 0603, 7K32, 0.1%, 0.1W | MCWF06W7321BTL |
| Resistor, 0603, 73K2, 0.1%, 0.1W | MCWF06W7322BTL |
| Resistor, 0603, 7K68, 0.1%, 0.1W | MCWF06W7681BTL |
| Resistor, 0603, 76K8, 0.1%, 0.1W | MCWF06W7682BTL |
| Resistor, 0603, 7K87, 0.1%, 0.1W | MCWF06W7871BTL |
| Resistor, 0603, 78K7, 0.1%, 0.1W | MCWF06W7872BTL |
| Resistor, 0603, 8K06, 0.1%, 0.1W | MCWF06W8061BTL |
| Resistor, 0603, 80K6, 0.1%, 0.1W | MCWF06W8062BTL |
| Resistor, 0603, 8K25, 0.1%, 0.1W | MCWF06W8251BTL |
| Resistor, 0603, 82K5, 0.1%, 0.1W | MCWF06W8252BTL |
| Resistor, 0603, 8K45, 0.1%, 0.1W | MCWF06W8451BTL |
| Resistor, 0603, 84K5, 0.1%, 0.1W | MCWF06W8452BTL |
| Resistor, 0603, 8K66, 0.1%, 0.1W | MCWF06W8661BTL |
| Resistor, 0603, 86K6, 0.1%, 0.1W | MCWF06W8662BTL |
| Resistor, 0603, 8K87, 0.1%, 0.1W | MCWF06W8871BTL |
| Resistor, 0603, 88K7, 0.1%, 0.1W | MCWF06W8872BTL |
| Resistor, 0603, 9K09, 0.1%, 0.1W | MCWF06W9091BTL |
| Resistor, 0603, 90K9, 0.1%, 0.1W | MCWF06W9092BTL |
| Resistor, 0603, 9K31, 0.1%, 0.1W | MCWF06W9311BTL |
| Resistor, 0603, 93K1, 0.1%, 0.1W | MCWF06W9312BTL |
| Resistor, 0603, 9K53, 0.1%, 0.1W | MCWF06W9531BTL |
| Resistor, 0603, 95K3, 0.1%, 0.1W | MCWF06W9532BTL |
| Resistor, 0603, 9K76, 0.1%, 0.1W | MCWF06W9761BTL |
| Resistor, 0603, 97K6, 0.1%, 0.1W | MCWF06W9762BTL |
| Resistor, 0805, 1K02, 0.1%, 0.125W | MCWF08W1021BTL |
| Resistor, 0805, 10K2, 0.1%, 0.125W | MCWF08W1022BTL |
| Resistor, 0805, 1K05, 0.1%, 0.125W | MCWF08W1051BTL |
| Resistor, 0805, 10K5, 0.1%, 0.125W | MCWF08W1052BTL |
| Resistor, 0805, 1K07, 0.1%, 0.125W | MCWF08W1071BTL |
| Resistor, 0805, 10K7, 0.1%, 0.125W | MCWF08W1072BTL |
| Resistor, 0805, 1K13, 0.1%, 0.125W | MCWF08W1131BTL |
| Resistor, 0805, 11K3, 0.1%, 0.125W | MCWF08W1132BTL |

| Description | Part Number |
|------------------------------------|----------------|
| Resistor, 0805, 1K15, 0.1%, 0.125W | MCWF08W1151BTL |
| Resistor, 0805, 11K5, 0.1%, 0.125W | MCWF08W1152BTL |
| Resistor, 0805, 1K18, 0.1%, 0.125W | MCWF08W1181BTL |
| Resistor, 0805, 11K8, 0.1%, 0.125W | MCWF08W1182BTL |
| Resistor, 0805, 1K21, 0.1%, 0.125W | MCWF08W1211BTL |
| Resistor, 0805, 12K1, 0.1%, 0.125W | MCWF08W1212BTL |
| Resistor, 0805, 1K24, 0.1%, 0.125W | MCWF08W1241BTL |
| Resistor, 0805, 12K4, 0.1%, 0.125W | MCWF08W1242BTL |
| Resistor, 0805, 1K27, 0.1%, 0.125W | MCWF08W1271BTL |
| Resistor, 0805, 12K7, 0.1%, 0.125W | MCWF08W1272BTL |
| Resistor, 0805, 1K33, 0.1%, 0.125W | MCWF08W1331BTL |
| Resistor, 0805, 13K3, 0.1%, 0.125W | MCWF08W1332BTL |
| Resistor, 0805, 1K37, 0.1%, 0.125W | MCWF08W1371BTL |
| Resistor, 0805, 13K7, 0.1%, 0.125W | MCWF08W1372BTL |
| Resistor, 0805, 1K40, 0.1%, 0.125W | MCWF08W1401BTL |
| Resistor, 0805, 14K0, 0.1%, 0.125W | MCWF08W1402BTL |
| Resistor, 0805, 1K43, 0.1%, 0.125W | MCWF08W1431BTL |
| Resistor, 0805, 14K3, 0.1%, 0.125W | MCWF08W1432BTL |
| Resistor, 0805, 1K47, 0.1%, 0.125W | MCWF08W1471BTL |
| Resistor, 0805, 14K7, 0.1%, 0.125W | MCWF08W1472BTL |
| Resistor, 0805, 1K54, 0.1%, 0.125W | MCWF08W1541BTL |
| Resistor, 0805, 15K4, 0.1%, 0.125W | MCWF08W1542BTL |
| Resistor, 0805, 1K58, 0.1%, 0.125W | MCWF08W1581BTL |
| Resistor, 0805, 15K8, 0.1%, 0.125W | MCWF08W1582BTL |
| Resistor, 0805, 1K62, 0.1%, 0.125W | MCWF08W1621BTL |
| Resistor, 0805, 16K2, 0.1%, 0.125W | MCWF08W1622BTL |
| Resistor, 0805, 1K65, 0.1%, 0.125W | MCWF08W1651BTL |
| Resistor, 0805, 16K5, 0.1%, 0.125W | MCWF08W1652BTL |
| Resistor, 0805, 1K69, 0.1%, 0.125W | MCWF08W1691BTL |
| Resistor, 0805, 16K9, 0.1%, 0.125W | MCWF08W1692BTL |
| Resistor, 0805, 1K74, 0.1%, 0.125W | MCWF08W1741BTL |
| Resistor, 0805, 17K4, 0.1%, 0.125W | MCWF08W1742BTL |
| Resistor, 0805, 1K78, 0.1%, 0.125W | MCWF08W1781BTL |
| Resistor, 0805, 17K8, 0.1%, 0.125W | MCWF08W1782BTL |
| Resistor, 0805, 1K82, 0.1%, 0.125W | MCWF08W1821BTL |
| Resistor, 0805, 18K2, 0.1%, 0.125W | MCWF08W1822BTL |
| Resistor, 0805, 1K87, 0.1%, 0.125W | MCWF08W1871BTL |

| Description | Part Number |
|------------------------------------|----------------|
| Resistor, 0805, 18K7, 0.1%, 0.125W | MCWF08W1872BTL |
| Resistor, 0805, 1K91, 0.1%, 0.125W | MCWF08W1911BTL |
| Resistor, 0805, 19K1, 0.1%, 0.125W | MCWF08W1912BTL |
| Resistor, 0805, 1K96, 0.1%, 0.125W | MCWF08W1961BTL |
| Resistor, 0805, 19K6, 0.1%, 0.125W | MCWF08W1962BTL |
| Resistor, 0805, 2K05, 0.1%, 0.125W | MCWF08W2051BTL |
| Resistor, 0805, 20K5, 0.1%, 0.125W | MCWF08W2052BTL |
| Resistor, 0805, 2K10, 0.1%, 0.125W | MCWF08W2101BTL |
| Resistor, 0805, 21K0, 0.1%, 0.125W | MCWF08W2102BTL |
| Resistor, 0805, 2K15, 0.1%, 0.125W | MCWF08W2151BTL |
| Resistor, 0805, 21K5, 0.1%, 0.125W | MCWF08W2152BTL |
| Resistor, 0805, 2K21, 0.1%, 0.125W | MCWF08W2211BTL |
| Resistor, 0805, 22K1, 0.1%, 0.125W | MCWF08W2212BTL |
| Resistor, 0805, 2K26, 0.1%, 0.125W | MCWF08W2261BTL |
| Resistor, 0805, 22K6, 0.1%, 0.125W | MCWF08W2262BTL |
| Resistor, 0805, 2K32, 0.1%, 0.125W | MCWF08W2321BTL |
| Resistor, 0805, 23K2, 0.1%, 0.125W | MCWF08W2322BTL |
| Resistor, 0805, 2K37, 0.1%, 0.125W | MCWF08W2371BTL |
| Resistor, 0805, 23K7, 0.1%, 0.125W | MCWF08W2372BTL |
| Resistor, 0805, 2K43, 0.1%, 0.125W | MCWF08W2431BTL |
| Resistor, 0805, 24K3, 0.1%, 0.125W | MCWF08W2432BTL |
| Resistor, 0805, 2K49, 0.1%, 0.125W | MCWF08W2491BTL |
| Resistor, 0805, 24K9, 0.1%, 0.125W | MCWF08W2492BTL |
| Resistor, 0805, 2K55, 0.1%, 0.125W | MCWF08W2551BTL |
| Resistor, 0805, 25K5, 0.1%, 0.125W | MCWF08W2552BTL |
| Resistor, 0805, 2K61, 0.1%, 0.125W | MCWF08W2611BTL |
| Resistor, 0805, 26K1, 0.1%, 0.125W | MCWF08W2612BTL |
| Resistor, 0805, 2K67, 0.1%, 0.125W | MCWF08W2671BTL |
| Resistor, 0805, 26K7, 0.1%, 0.125W | MCWF08W2672BTL |
| Resistor, 0805, 2K74, 0.1%, 0.125W | MCWF08W2741BTL |
| Resistor, 0805, 27K4, 0.1%, 0.125W | MCWF08W2742BTL |
| Resistor, 0805, 2K80, 0.1%, 0.125W | MCWF08W2801BTL |
| Resistor, 0805, 28K0, 0.1%, 0.125W | MCWF08W2802BTL |
| Resistor, 0805, 2K87, 0.1%, 0.125W | MCWF08W2871BTL |
| Resistor, 0805, 28K7, 0.1%, 0.125W | MCWF08W2872BTL |
| Resistor, 0805, 2K94, 0.1%, 0.125W | MCWF08W2941BTL |
| Resistor, 0805, 29K4, 0.1%, 0.125W | MCWF08W2942BTL |

| Description | Part Number |
|------------------------------------|----------------|
| Resistor, 0805, 3K01, 0.1%, 0.125W | MCWF08W3011BTL |
| Resistor, 0805, 30K1, 0.1%, 0.125W | MCWF08W3012BTL |
| Resistor, 0805, 3K09, 0.1%, 0.125W | MCWF08W3091BTL |
| Resistor, 0805, 30K9, 0.1%, 0.125W | MCWF08W3092BTL |
| Resistor, 0805, 3K16, 0.1%, 0.125W | MCWF08W3161BTL |
| Resistor, 0805, 31K6, 0.1%, 0.125W | MCWF08W3162BTL |
| Resistor, 0805, 3K24, 0.1%, 0.125W | MCWF08W3241BTL |
| Resistor, 0805, 32K4, 0.1%, 0.125W | MCWF08W3242BTL |
| Resistor, 0805, 3K32, 0.1%, 0.125W | MCWF08W3321BTL |
| Resistor, 0805, 33K2, 0.1%, 0.125W | MCWF08W3322BTL |
| Resistor, 0805, 3K40, 0.1%, 0.125W | MCWF08W3401BTL |
| Resistor, 0805, 34K0, 0.1%, 0.125W | MCWF08W3402BTL |
| Resistor, 0805, 3K48, 0.1%, 0.125W | MCWF08W3481BTL |
| Resistor, 0805, 34K8, 0.1%, 0.125W | MCWF08W3482BTL |
| Resistor, 0805, 3K57, 0.1%, 0.125W | MCWF08W3571BTL |
| Resistor, 0805, 35K7, 0.1%, 0.125W | MCWF08W3572BTL |
| Resistor, 0805, 3K65, 0.1%, 0.125W | MCWF08W3651BTL |
| Resistor, 0805, 36K5, 0.1%, 0.125W | MCWF08W3652BTL |
| Resistor, 0805, 3K74, 0.1%, 0.125W | MCWF08W3741BTL |
| Resistor, 0805, 37K4, 0.1%, 0.125W | MCWF08W3742BTL |
| Resistor, 0805, 3K83, 0.1%, 0.125W | MCWF08W3831BTL |
| Resistor, 0805, 38K3, 0.1%, 0.125W | MCWF08W3832BTL |
| Resistor, 0805, 3K92, 0.1%, 0.125W | MCWF08W3921BTL |
| Resistor, 0805, 39K2, 0.1%, 0.125W | MCWF08W3922BTL |
| Resistor, 0805, 4K02, 0.1%, 0.125W | MCWF08W4021BTL |
| Resistor, 0805, 40K2, 0.1%, 0.125W | MCWF08W4022BTL |
| Resistor, 0805, 4K12, 0.1%, 0.125W | MCWF08W4121BTL |
| Resistor, 0805, 41K2, 0.1%, 0.125W | MCWF08W4122BTL |
| Resistor, 0805, 4K22, 0.1%, 0.125W | MCWF08W4221BTL |
| Resistor, 0805, 42K2, 0.1%, 0.125W | MCWF08W4222BTL |
| Resistor, 0805, 4K32, 0.1%, 0.125W | MCWF08W4321BTL |
| Resistor, 0805, 43K2, 0.1%, 0.125W | MCWF08W4322BTL |
| Resistor, 0805, 4K42, 0.1%, 0.125W | MCWF08W4421BTL |
| Resistor, 0805, 44K2, 0.1%, 0.125W | MCWF08W4422BTL |
| Resistor, 0805, 4K53, 0.1%, 0.125W | MCWF08W4531BTL |
| Resistor, 0805, 45K3, 0.1%, 0.125W | MCWF08W4532BTL |
| Resistor, 0805, 4K64, 0.1%, 0.125W | MCWF08W4641BTL |

| Description | Part Number |
|------------------------------------|----------------|
| Resistor, 0805, 46K4, 0.1%, 0.125W | MCWF08W4642BTL |
| Resistor, 0805, 4K75, 0.1%, 0.125W | MCWF08W4751BTL |
| Resistor, 0805, 47K5, 0.1%, 0.125W | MCWF08W4752BTL |
| Resistor, 0805, 4K87, 0.1%, 0.125W | MCWF08W4871BTL |
| Resistor, 0805, 48K7, 0.1%, 0.125W | MCWF08W4872BTL |
| Resistor, 0805, 4K99, 0.1%, 0.125W | MCWF08W4991BTL |
| Resistor, 0805, 49K9, 0.1%, 0.125W | MCWF08W4992BTL |
| Resistor, 0805, 5K11, 0.1%, 0.125W | MCWF08W5111BTL |
| Resistor, 0805, 51K1, 0.1%, 0.125W | MCWF08W5112BTL |
| Resistor, 0805, 5K23, 0.1%, 0.125W | MCWF08W5231BTL |
| Resistor, 0805, 52K3, 0.1%, 0.125W | MCWF08W5232BTL |
| Resistor, 0805, 5K36, 0.1%, 0.125W | MCWF08W5361BTL |
| Resistor, 0805, 53K6, 0.1%, 0.125W | MCWF08W5362BTL |
| Resistor, 0805, 5K49, 0.1%, 0.125W | MCWF08W5491BTL |
| Resistor, 0805, 54K9, 0.1%, 0.125W | MCWF08W5492BTL |
| Resistor, 0805, 5K62, 0.1%, 0.125W | MCWF08W5621BTL |
| Resistor, 0805, 56K2, 0.1%, 0.125W | MCWF08W5622BTL |
| Resistor, 0805, 5K76, 0.1%, 0.125W | MCWF08W5761BTL |
| Resistor, 0805, 57K6, 0.1%, 0.125W | MCWF08W5762BTL |
| Resistor, 0805, 5K90, 0.1%, 0.125W | MCWF08W5901BTL |
| Resistor, 0805, 59K0, 0.1%, 0.125W | MCWF08W5902BTL |
| Resistor, 0805, 6K04, 0.1%, 0.125W | MCWF08W6041BTL |
| Resistor, 0805, 60K4, 0.1%, 0.125W | MCWF08W6042BTL |
| Resistor, 0805, 6K19, 0.1%, 0.125W | MCWF08W6191BTL |
| Resistor, 0805, 61K9, 0.1%, 0.125W | MCWF08W6192BTL |
| Resistor, 0805, 6K34, 0.1%, 0.125W | MCWF08W6341BTL |
| Resistor, 0805, 63K4, 0.1%, 0.125W | MCWF08W6342BTL |
| Resistor, 0805, 6K49, 0.1%, 0.125W | MCWF08W6491BTL |
| Resistor, 0805, 64K9, 0.1%, 0.125W | MCWF08W6492BTL |
| Resistor, 0805, 6K65, 0.1%, 0.125W | MCWF08W6651BTL |
| Resistor, 0805, 66K5, 0.1%, 0.125W | MCWF08W6652BTL |
| Resistor, 0805, 6K81, 0.1%, 0.125W | MCWF08W6811BTL |
| Resistor, 0805, 68K1, 0.1%, 0.125W | MCWF08W6812BTL |
| Resistor, 0805, 6K98, 0.1%, 0.125W | MCWF08W6981BTL |
| Resistor, 0805, 69K8, 0.1%, 0.125W | MCWF08W6982BTL |
| Resistor, 0805, 7K15, 0.1%, 0.125W | MCWF08W7151BTL |
| Resistor, 0805, 71K5, 0.1%, 0.125W | MCWF08W7152BTL |

| Description | Part Number |
|------------------------------------|----------------|
| Resistor, 0805, 7K32, 0.1%, 0.125W | MCWF08W7321BTL |
| Resistor, 0805, 73K2, 0.1%, 0.125W | MCWF08W7322BTL |
| Resistor, 0805, 7K68, 0.1%, 0.125W | MCWF08W7681BTL |
| Resistor, 0805, 76K8, 0.1%, 0.125W | MCWF08W7682BTL |
| Resistor, 0805, 7K87, 0.1%, 0.125W | MCWF08W7871BTL |
| Resistor, 0805, 78K7, 0.1%, 0.125W | MCWF08W7872BTL |
| Resistor, 0805, 8K06, 0.1%, 0.125W | MCWF08W8061BTL |
| Resistor, 0805, 80K6, 0.1%, 0.125W | MCWF08W8062BTL |
| Resistor, 0805, 8K25, 0.1%, 0.125W | MCWF08W8251BTL |
| Resistor, 0805, 82K5, 0.1%, 0.125W | MCWF08W8252BTL |
| Resistor, 0805, 8K45, 0.1%, 0.125W | MCWF08W8451BTL |
| Resistor, 0805, 84K5, 0.1%, 0.125W | MCWF08W8452BTL |
| Resistor, 0805, 8K66, 0.1%, 0.125W | MCWF08W8661BTL |
| Resistor, 0805, 86K6, 0.1%, 0.125W | MCWF08W8662BTL |
| Resistor, 0805, 8K87, 0.1%, 0.125W | MCWF08W8871BTL |
| Resistor, 0805, 88K7, 0.1%, 0.125W | MCWF08W8872BTL |
| Resistor, 0805, 9K09, 0.1%, 0.125W | MCWF08W9091BTL |
| Resistor, 0805, 90K9, 0.1%, 0.125W | MCWF08W9092BTL |
| Resistor, 0805, 9K31, 0.1%, 0.125W | MCWF08W9311BTL |
| Resistor, 0805, 93K1, 0.1%, 0.125W | MCWF08W9312BTL |
| Resistor, 0805, 9K53, 0.1%, 0.125W | MCWF08W9531BTL |
| Resistor, 0805, 95K3, 0.1%, 0.125W | MCWF08W9532BTL |
| Resistor, 0805, 9K76, 0.1%, 0.125W | MCWF08W9761BTL |
| Resistor, 0805, 97K6, 0.1%, 0.125W | MCWF08W9762BTL |

Important Notice : This data sheet and its contents (the "Information") belong to the members of the AVNET group of companies (the "Group") or are licensed to it. No licence is granted for the use of it other than for information purposes in connection with the products to which it relates. No licence of any intellectual property rights is granted. The Information is subject to change without notice and replaces all data sheets previously supplied. The Information supplied is believed to be accurate but the Group assumes no responsibility for its accuracy or completeness, any error in or omission from it or for any use made of it. Users of this data sheet should check for themselves the Information and the suitability of the products for their purpose and not make any assumptions based on information included or omitted. Liability for loss or damage resulting from any reliance on the Information or use of it (including liability resulting from negligence or where the Group was aware of the possibility of such loss or damage arising) is excluded. This will not operate to limit or restrict the Group's liability for death or personal injury resulting from its negligence. Multicomp Pro is the registered trademark of Premier Farnell Limited 2019.