

FEATURES

- Rated currents up to 10A
- Quick connect(6.3*0.8mm)
- There are a variety of parts and combinations to meet different customer's EMC tests
- Customized products according to customer's requirements

RS PRO EMI FILTER

RS Stock No.: 237-8652



RS Professionally Approved Products bring to you professional quality parts across all product categories. Our product range has been tested by engineers and provides a comparable quality to the leading brands without paying a premium price.

Product Description

- **Portable electrical and electronic equipment**
- **Single-phase power supply , switch-mode power supply**
- **Medical equipment**
- **Small and medium-sized machines and household equipment etc**

General Specifications

Available with fuse holder for two (5*20mm) fuses
 (R5) types comply with the requirements of IEC/EN60601-1 for safety clearance, leakagecurrent and hipot testing. There are a variety of parts and combinations to meet different customer's EMC tests. Customized products according to customer's requirements

Mechanical Specifications

size	60X28X32.5mm (L X W X H)
weight	0.057kgs

Electrical Specifications

Rated Voltage Max.	115/250VAC
Operating frequency	50/60Hz
Rated currents	4A
Hipot Rating	L-N 500VDC, L/N-G 2250VDC

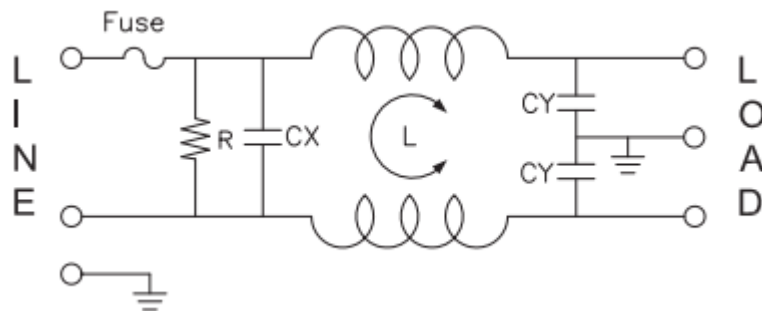
Protection Category

according to IEC 60529 IP40

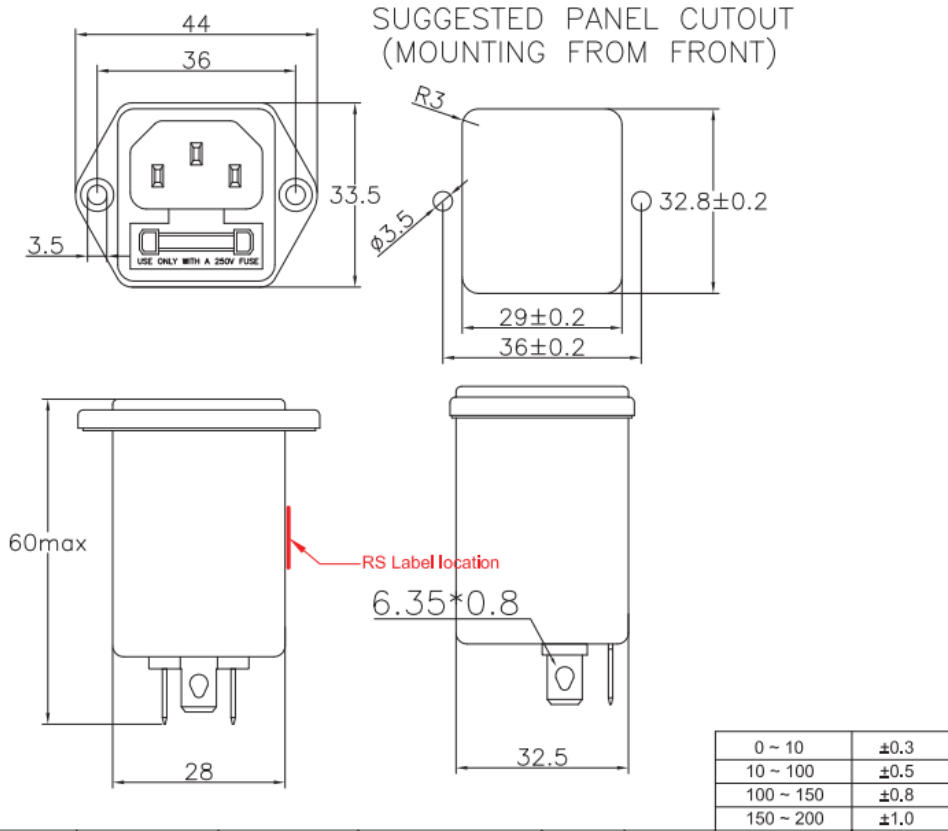
Approvals

Declarations	UL;TUV;CQC;CE
Standards Met	UL1283, CSA C22.2 No.8; IEC/EN 60939,; CQC GB 15288/GB 15287-2008

Electrical Schematic:



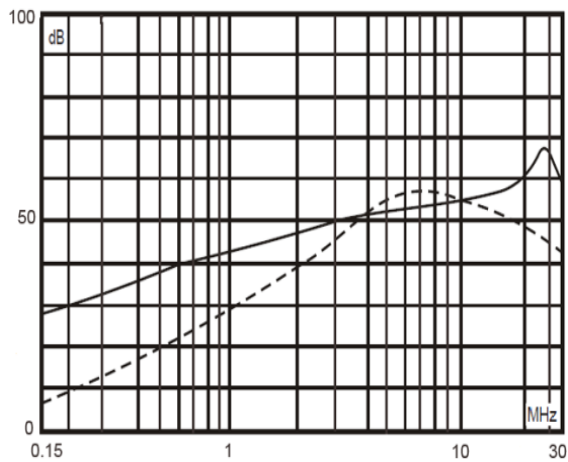
Physical Dimensions:



Insertion loss table(In 50ohm system according IEC/CISPR No.17)

———— Common mode - - - - - Differential mode

4A



Power Line Filters

Packaging

