



Datasheet

ENGLISH

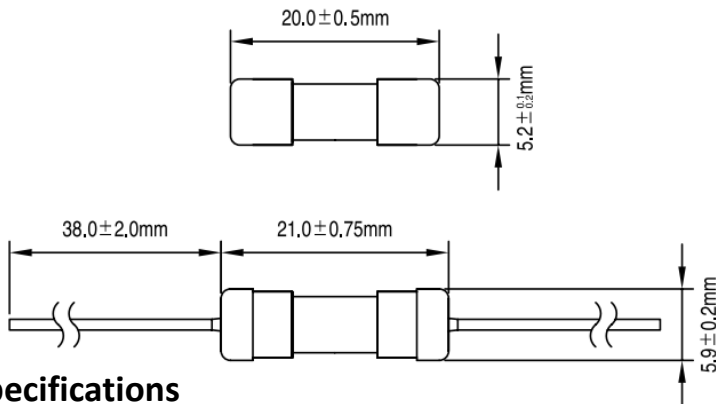
Conquer 5 x 20 mm T Cartridge Fuse, 0.4 A, 250 V ac

RS Stock Number: 563-615

Part Number: VBS USL 250mA 250V (05)



Dimensions: (mm)



Specifications

- Interrupting Ratings: 35 amperes or 10 in rated current; whichever is greater at 250V AC
- Operating Temperature: -55°C to +125°C

Materials

- Glass body / Nickel Plated Brass Caps
- Lead wire : Tin-Lead plated Copper
- Diameter : 0.8mm

Electrical Characteristics

| Rated Current | 1.5In | | 2.1In | | 2.75 In | | 4 In | | 10 In | |
|---------------|-------|-----|-------|-----|---------|-----|------|-----|-------|-----|
| | MIN | MAX | MIN | MAX | MIN | MAX | MIN | MAX | MIN | MAX |
| 63mA~100mA | 60 | 2 | 200 | 10 | 40 | 3 | 10 | 300 | | |
| | min | min | ms | sec | ms | sec | ms | ms | | |
| 125mA~6.3A | 60 | 2 | 600 | 10 | 150 | 3 | 20 | 300 | | |
| | min | min | ms | sec | ms | sec | ms | ms | | |
| 8A~10A | 30 | 2 | 600 | 10 | 150 | 3 | 20 | 300 | | |
| | min | min | ms | sec | ms | sec | ms | ms | | |

UL File Number: E82636

