



Datasheet

RS PRO Anti-Vibrate Grommet 12

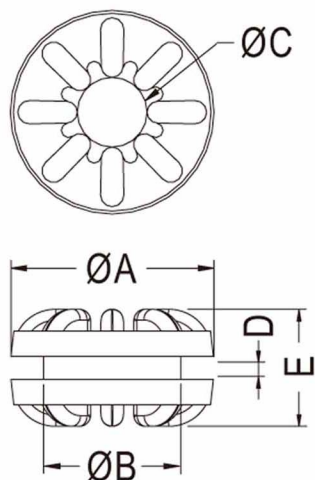
Stock number: 172-0873

EN



DIMENSIONS	TOLERANCE
<4mm	±0.15
4mm~15mm	±0.20
15mm~30mm	±0.30
30mm~50mm	±0.50
50mm~100mm	±1.00

REVISIONS			
REV	DESCRIPTION	DATE	BY
01	NEW DRAWING	2014-8-16	Jack Xu



A	B	C	D	E
14.0	9.5	4.85	1.0	8.1

Unit:mm

SCALE	--	PART NAME	Vibration Grommet
COLOR	BLACK	PART NO.	172-0873
DRAWN	ALEX	MATERIAL	TPE
CHECK	JACK	DRAWING NO.	KS180712-7
APPROVED	FRED	DRAWING DATE	2014-8-16