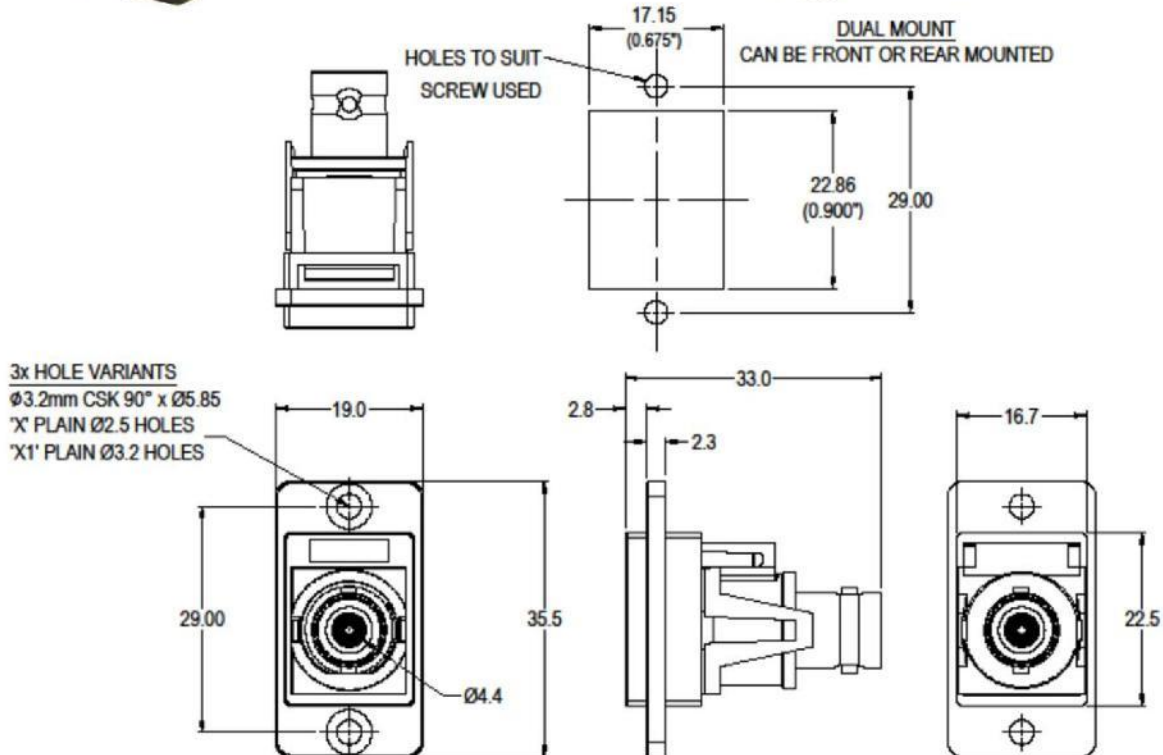


Datasheet

# RS PRO SLIM BNC 50 Ohm DUAL MOUNTING FT CONNECTOR

Stock No: 2522991



Material:

1. SLIM Frame: Polyamide UL94 V2
2. BNC Frame: ABS UL94 V2
3. BNC Body: Brass - Nickel Plated
4. BNC Centre: Brass - Copper Plated
5. BNC Insulator: PP UL94 V2

### Features & Benefits:

- Fits standard rectangular cutout.
- Front or rear mounting through the panel.
- Various hole mounting options
- No soldering or punch termination. Use standard cable for each connector style.
- Low rear profile

### General:

Please note: Functionality is affected by cable quality, length and cable wiring configuration.

### Other models available:

#### Part No.

**2522991** - DUALSLIM FT BNC 50 Ohm Black plastic frame, CSK holes



[rspro.com](http://rspro.com)





[rspro.com](http://rspro.com)

