

Datasheet s.126

½"-4" swing check valves



Quality:

- Suitable for domestic, industrial, pneumatic and hydraulic installations
- Strong configuration

Body:

- Hot forged brass body

Seals:

- Soft seal
- Compact inspection cap

PED Directives:

- The product described in this document meets the requirements of PED Directive 97/23 and according to art.3 par.3, it does not require CE marking; it cannot be used with dangerous gases in sizes larger than 25mm

Threads:

- ISO 228 Female parallel thread

Working Pressure:

- 16 Bar up to 3/4", 12 Bar 1", 10 Bar from 1.1/4" up to 2", 8 Bar over 2"
- non-shock cold working pressure

Working Temperature:

- +0°C / +90°C
- Warning: freezing of the fluid in the installation may severely damage the valve

Options:

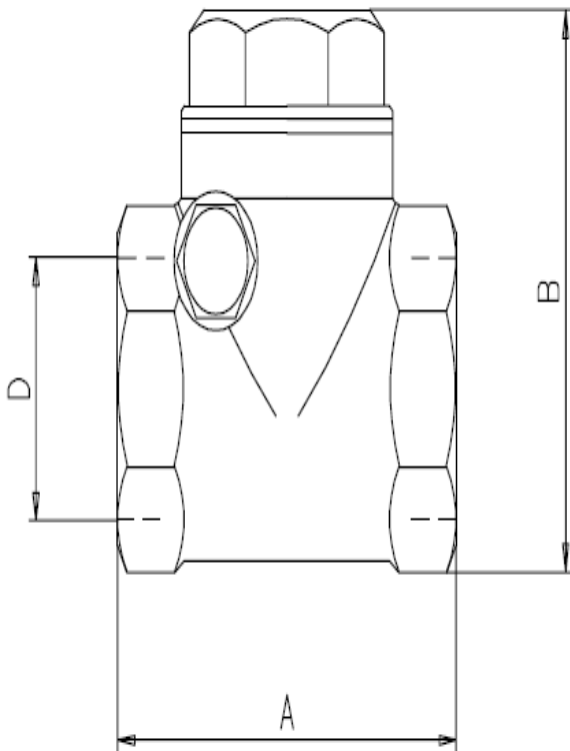
- metal seal

Approved by or in compliance with:

- Hygiene and epidemic center in Moscow city (Russia)
- EAC - Declaration of conformity (Russia-Kazakhstan-Belarus)

NOTE: Approvals apply to specific configurations/sizes only.

Part Description	Q.ty	Material
Body	1	CW617N
Hexagonal cap	1	CW617N
Hexagonal cap O-ring	1	NBR
Inspection small cap	1	CW614N
Inspection small cap O-ring	1	NBR
Seal	1	NBR
Seat	1	CW614N



Code	126D00	126E00	126F00	126G00	126H00	126I00	126L00	126M00	126N00
D (inch)	1/2	3/4	1	1¼	1½	2	2½	3	4
A (mm)	43	52	62	72	81	94	119	134	169
B (mm)	50	58	67	77	88	101	130	150	185
PN (Kg/cm ²)	16	16	12	10	10	10	8	8	8