



EN

## Datasheet

# RS PRO NYLON-INSULATED CORD END TERMINALS

Stock number: 178-7295

MAXIMUM ELECTRIC CURRENT:

|        |    |
|--------|----|
| A.W.G. | 20 |
| AMP.   | 12 |

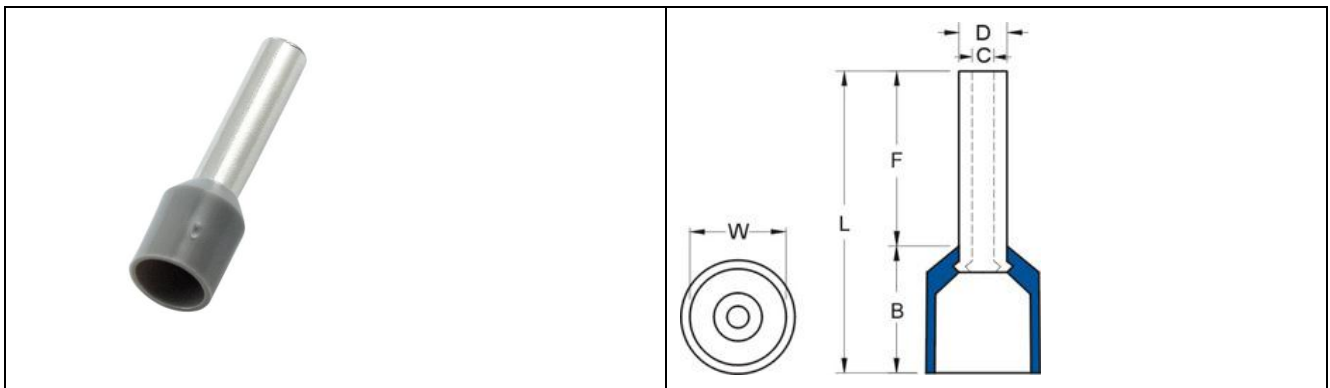
MAXIMUM ELECTRICAL RATING: 105° C 600 VOLTS MAX.

INSULATION MATERIAL: NYLON

TERMINAL MATERIAL: COPPER TUBE

SURFACE TREATMENT: TIN PLATE

INSULATION COLOR: GREY



| WIRE RANGE<br>A.W.G.<br>mm <sup>2</sup> | ITEM NO.                          | DIMENSION inch(mm) |      |      |      |       |       |
|---|-----------------------------------|--------------------|------|------|------|-------|-------|
|   |                                   | F                  | L    | W    | B    | D     | C     |
| 20<br>A.W.G.                            | <input type="checkbox"/> 178-7295 | 0.394              | 0.63 | 0.11 | 0.26 | 0.059 | 0.047 |
| 0.75<br>mm <sup>2</sup>                 |                                   | 10                 | 160  | 2.8  | 6.3  | 1.500 | 1.2   |