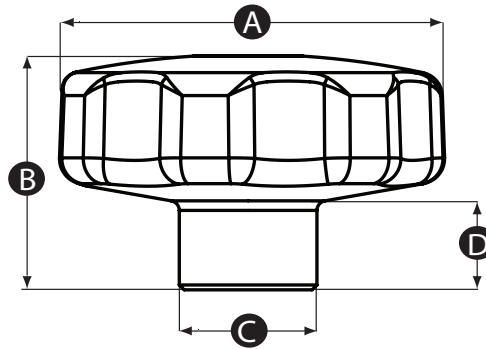


DataSheet

Through Thread Metal Lobe Knob



Material

Stainless steel

Finish

Matt

Thread

Machined thread

Part No.	A	B	C	D	Thread size
478983	40	24	14	8	M8
478989	50	31	18	10	M10
478905	60	39	20	14	M12