

Datasheet

Sealed Miniature Toggle Switch

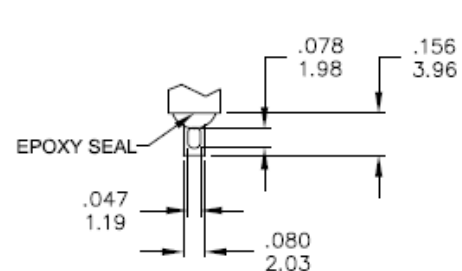
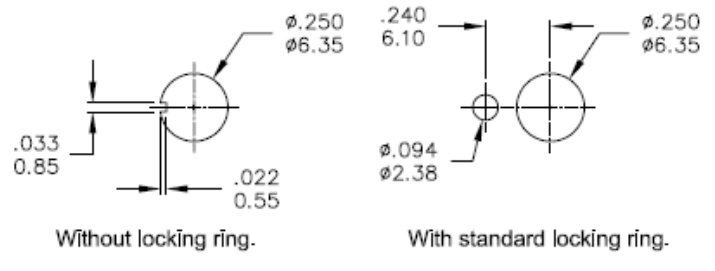
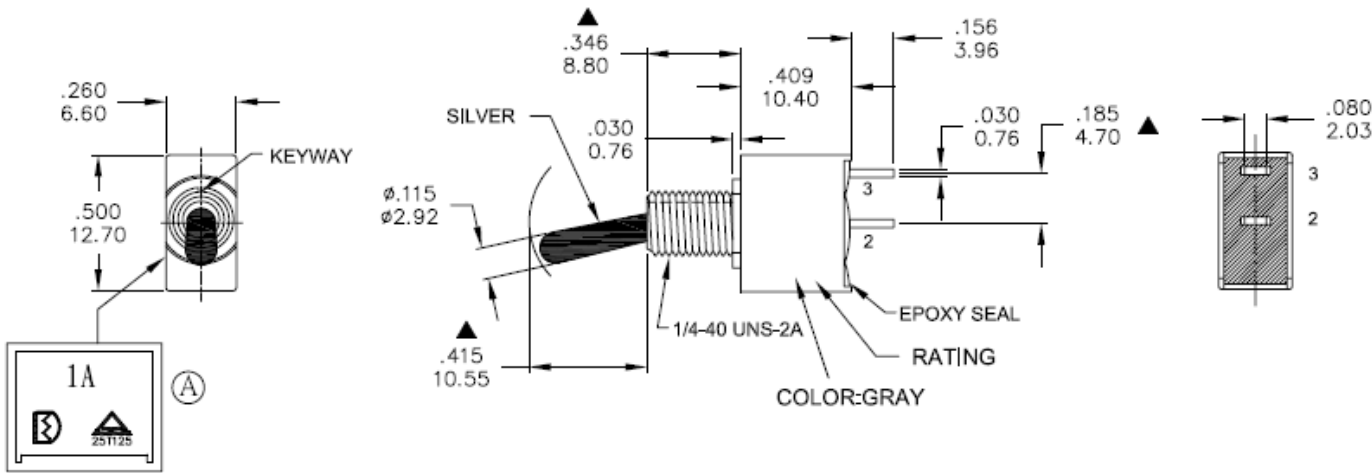
RS Stock number 734-6987



Specifications:

MECHANICAL LIFE:	30,000 make-and-break cycles.
CONTACT RESISTANCE:	10m Ω max. Initial @ 2-4VDC 100mA for both silver and gold plated contacts.
INSULATION RESISTANCE:	1,000 M Ω min.
DIELECTRIC STRENGTH:	1,000Vrms min. @ sea level.
OPERATING TEMPERATURE:	-30°C to 85°C.
CASE BUSHING:	Glass filled nylon 6/6, flame retardant, heat stabilized (UL94V-0)
ACTUATOR:	Brass, chrome plated with internal, o-ring seal standard
CONTACT/TERMINAL:	Copper alloy, with silver or gold plated
Switch Support:	Brass or steel, tin plated
Switch Support Retainer:	Stainless Steel
RoHS:	2002/95/EC

**Dimensions – inch
mm**



PANEL MOUNTING

SOLDER LUG

Model No.	POS.1	POS.2	POS.3
	1AS1	ON	NONE
Term. Comm.	2-3	N/A	OPEN
SCHEMATIC			

SWITCH FUNCTION