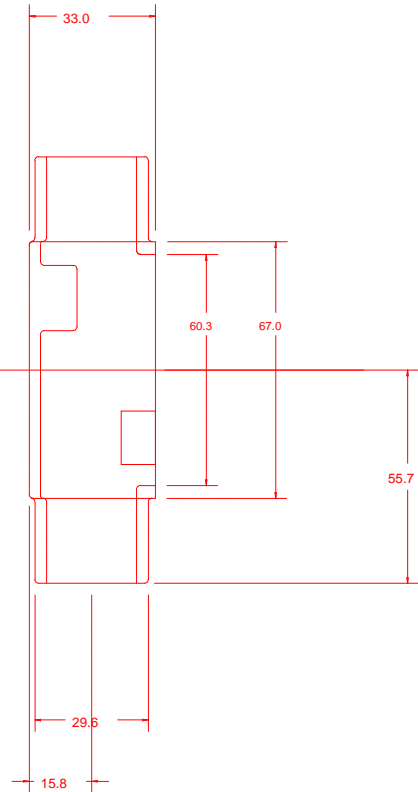
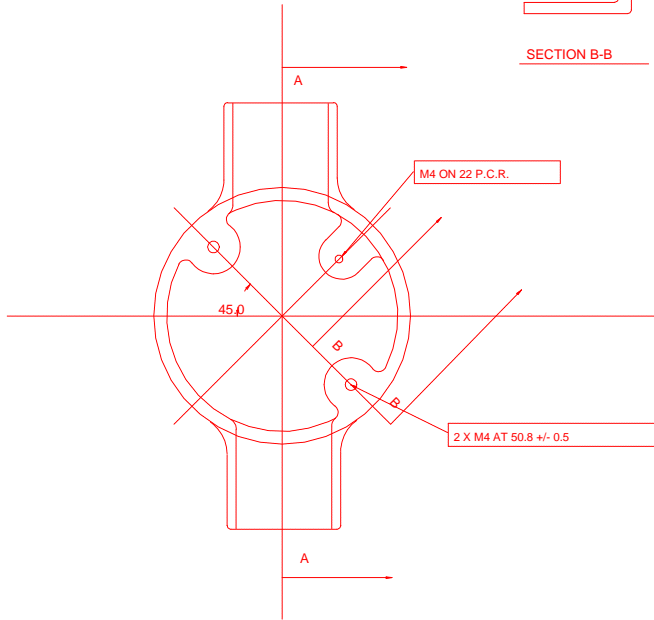


SECTION B-B



SECTION A-A



TITLE 25MM THROUGH BOX BASE CAST	DATE 29/11/02	DRAWN MSE	MATERIAL 316C16F ST/ST	TOLERANCES +/- 0.5mm ON HOLE CTRS +/- 3.5 ON FOLDED PARTS	THIS DRAWING IS SUBJECT TO COPYRIGHT IT MUST NOT BE REPRODUCED OR OTHERWISE MADE USE OF, WITHOUT THE WRITTEN PERMISSION OF ELECTRIX INTERNATIONAL LTD
	AUTH	CHECKED MSE	FINISH ELECTROPOLISHED BRIGHT FINISH		