



Datasheet

ENGLISH

DPCO Surface Mount Latching Air Switch

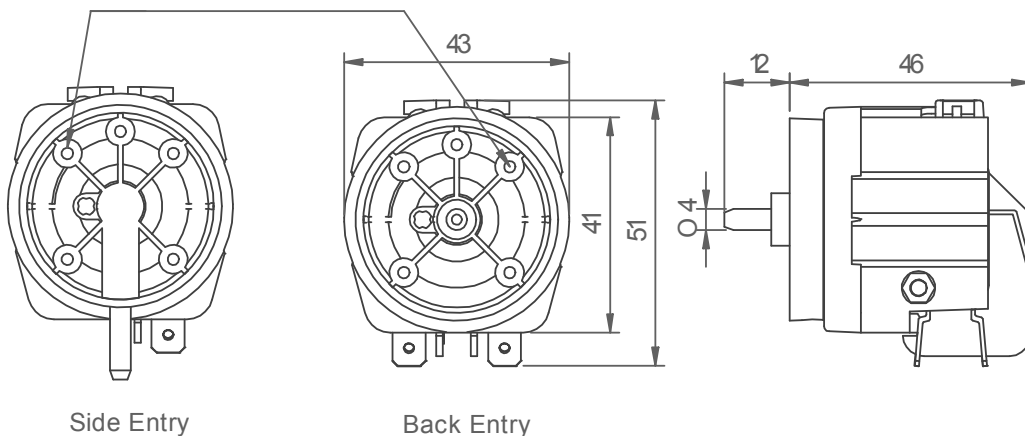
RS Stock No. 317-320

Fixing holes to suit

No 4 self tap 4.0 deep

on a 28.5 P.C.D

NOTE Longer screws will penetrate
the diaphragm chamber.



FEATURES:

- Double pole changeover switch
- Electrical rating 15A 250V AC
- Side entry 4mm spout
- Use with 3mm I/D tubing