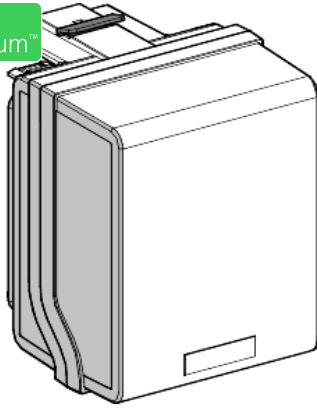


# Product data sheet

Specifications



## CONNECTOR 16A FUSE E14

KSB16CN5

### Main

Range of product	Canalis
Range compatibility	KS busbar trunking
Product or component type	Tap-off unit
Busbar trunking compatibility	Canalis KS busbar trunkingplug-in
[Ie] rated operational current	16 A at 35 °C
Protection type	fuse isolator: Neozed fuse, size E14 conforming to DIN
Provided equipment	fuse to be ordered separately
Mounting mode	Plug-in with fixed polarity
Tap-off unit polarity	3L+N+PE
Colour	White (RAL 9001)

### Complementary

Device application	Medium power distribution
[Ue] rated operational voltage	230...690 V depending on protective device
[Uimp] rated impulse withstand voltage	6.8 kV
[Ui] rated insulation voltage	690 V depending on protective device
Network frequency	50/60 Hz
Electrical connection	Tunnel terminal - ISO32 6 mm <sup>2</sup> flexible Tunnel terminal - ISO32 10 mm <sup>2</sup> rigid
Door/Cover opening side	Front
Tap-off unit disconnection mode	By drawing out
Standards	IEC 61439-1 IEC 61439-6
Body material	Plastic
Width	135 mm
Depth	103 mm
Height	165 mm
Net weight	0.6 kg

## Environment

Earthing system	TT TN-S IT
IP degree of protection	IP55 conforming to IEC 60529
IK degree of protection	IK08 conforming to IEC 62262

## Packing Units

Unit Type of Package 1	PCE
Number of Units in Package 1	1
Package 1 Weight	900.0 g
Package 1 Height	16 cm
Package 1 width	17.5 cm
Package 1 Length	13.6 cm
Unit Type of Package 2	P12
Number of Units in Package 2	119
Package 2 Weight	107.1 kg
Package 2 Height	195 cm
Package 2 width	80 cm
Package 2 Length	120 cm

## Offer Sustainability

Sustainable offer status	Green Premium product
REACH Regulation	<a href="#">REACH Declaration</a>
REACH free of SVHC	Yes
EU RoHS Directive	Compliant <a href="#">EU RoHS Declaration</a>
Mercury free	Yes
RoHS exemption information	<a href="#">Yes</a>
China RoHS Regulation	<a href="#">China RoHS declaration</a> Product out of China RoHS scope. Substance declaration for your information
Environmental Disclosure	<a href="#">Product Environmental Profile</a>
WEEE	The product must be disposed on European Union markets following specific waste collection and never end up in rubbish bins
Halogen content performance	Halogen free product

## Contractual warranty

Warranty	18 months
----------	-----------