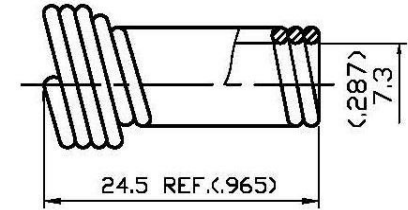
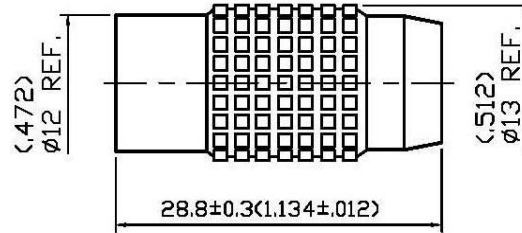
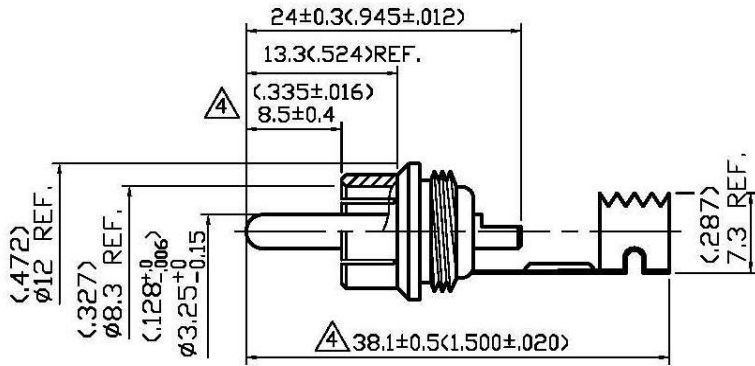
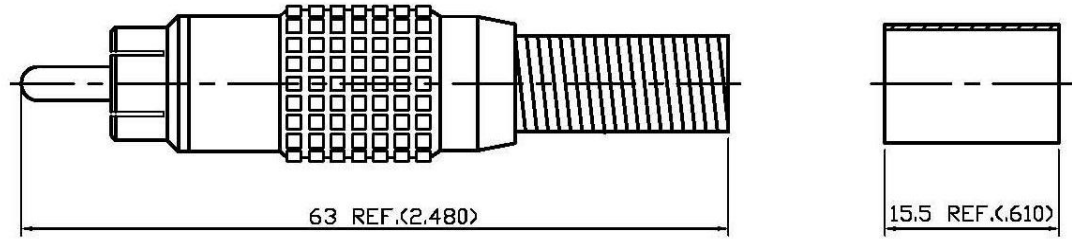


NO	DESCRIPTION	DATE
①	28±0.3 → 28.8±0.3	05.14.98
②	MODIFICATION FOR SHELL ③	09.04.01'
③	ADD MIS PART NO: R14-041-00-0007120B0 (P/N:106947) ADD MIS PART NO: R14-041-00-0007120B1 (P/N:106953) ADD MIS PART NO: R14-041-00-0007120B2 (P/N:106969) ADD MIS PART NO: R14-041-00-0007120B3 (P/N:106975)	03.24.11'
④	8.2±0.4 → 8.5±0.4 37.2±0.5 → 38.1±0.5	10.04.11'



MIS PART NO: R14-041-00-0007120B2 (P/N:106969) ④

APPROVED

by _____ DATE: _____

6	GASKET	PE	1	NONE
5	SPRING	SW.	1	GOLD
4	INSULATION	POM	1	NONE
3	SHELL	ALUMINIUM	1	YELLOW
2	PIN	BRASS	1	GOLD
1	BODY	BRASS	1	GOLD
NO	DESCRIPTION	MATERIAL	Q'TY	FINISH

④



DESCRIPTION		RCA STRAIGHT PLUG	
製圖	DRAWN <i>Kristina</i>	TOLERANCE .X ±0.2	品名 14-41 D.G.G
檢圖	CHECK <i>Arc</i>	.XX ±0.1	TITLE \ROHS COMPLIANT (75Ω)
認定	APPROVAL <i>Angela</i>	.XXX ±0.05	日期 01.10.95'
	ANGLE ±5°	單位 mm	版次 A-4
	比例 2:1	DWG.NO.	14-0029
		SCALE	