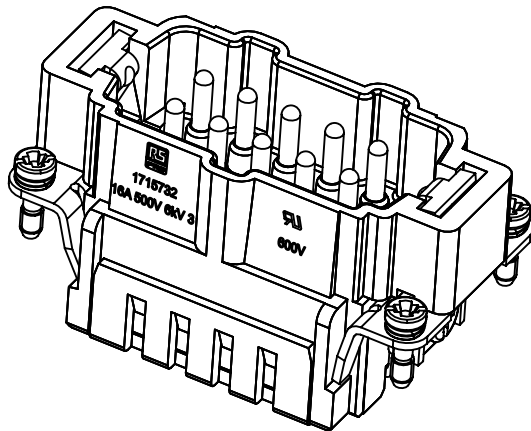
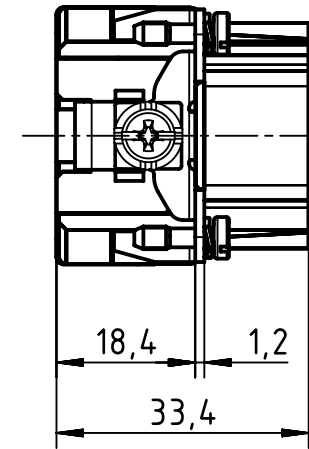
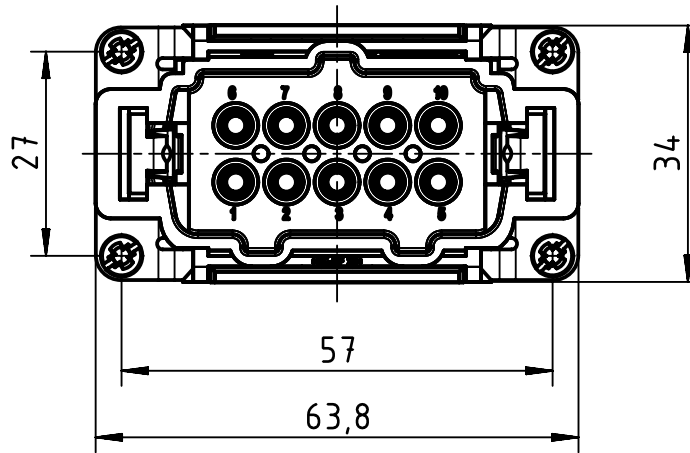
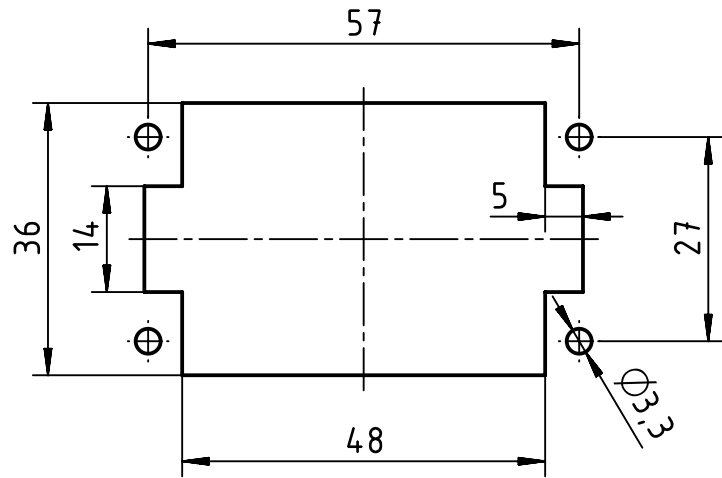



panel cut out



	FREE SIZE TOL':			TITLE		REV.
				RS Pro 10E cage clamp insert 10 conts M		A
	DRAWN BY	Limei.L	2018.3.16	SIZE	PART NUMBER	SHEET
	CHECKED BY	Andy.Y	2018.3.16	A4	1715732	1 OF 1
APPROVED BY	Steven.W	2018.3.16	SCALE 1:1	MATERIAL:	UNIT: mm	