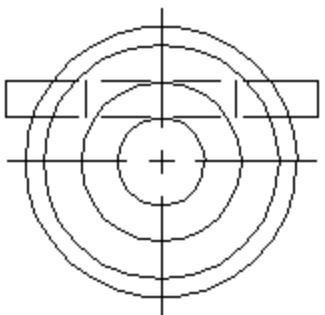
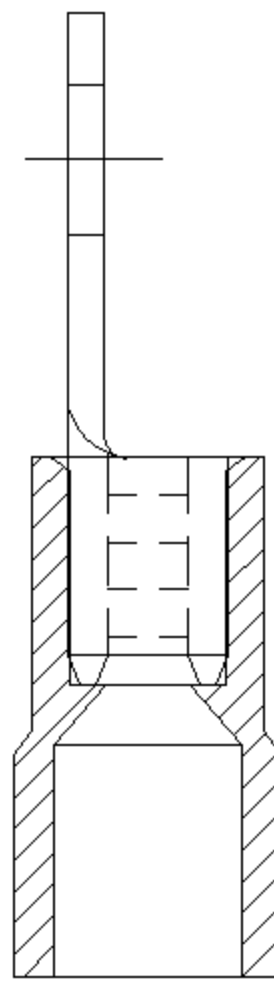
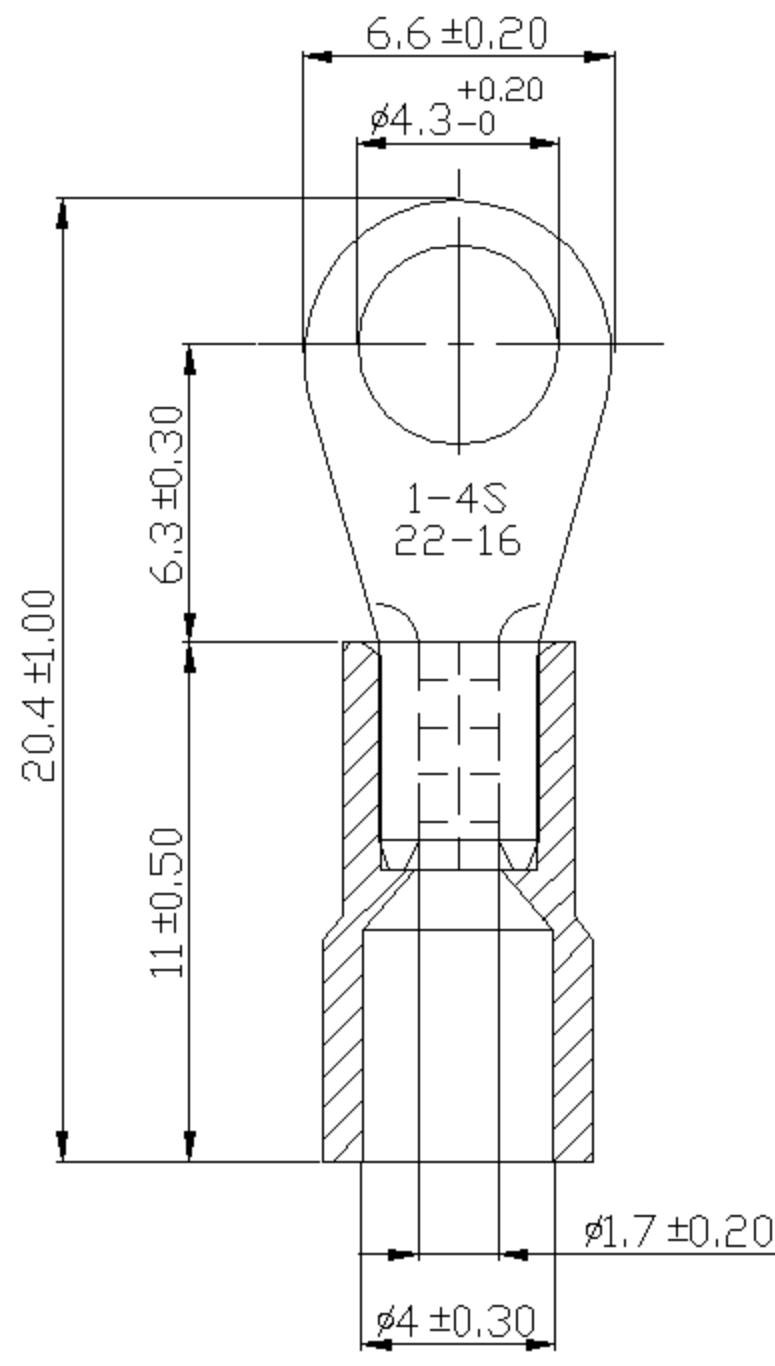


REV	DESCRIPTION	DATE
-----	-------------	------



- NOTE :
1. MAXIMUM ELECTRIC CURRENT :

A.W.G.	22	20	18	16
AMP.	9	12	17	18
 2. MAXIMUM ELECTRICAL RATING : 75°C 600 VOLTS MAX.
 3. INSULATION MATERIAL : VINYL
 4. INSULATION COLOR : RED
 5. TERMINAL MATERIAL : COPPER
 6. WIRE RANGE : 22-16 A.W.G. (0.5-1.5 mm²)
 7. TERMINAL SURFACE TREATMENT : TIN PLATED
 8. TERMINAL THICKNESS : 0.75 mm

Tolerance Unless Otherwise Specified	
0 > 6 mm ± 0.20	ANGLE
6 > 18 mm ± 0.30	0° REF ±
18 > 30 mm ± 0.40	±
30 > 75 mm ± 0.50	±

NAME	VINYL-INSULATED(MOLDED) RING TERMINALS			UNIT	個	⊙	□
PART NO.	RVYS1-4@	MATERIAL	-----	APPROVE	[Signature]		
NUMBER	KA-95141-C	SCALE	SHEET	PAGE	CHECKED	[Signature]	
DATE	2007/01/30	4/1	1-0	20F2	DRAWN	張馨尹	

