

Datasheet

RS Pro Round Tube Base Clamp

RS Stock No: **786-5983**



Product Details

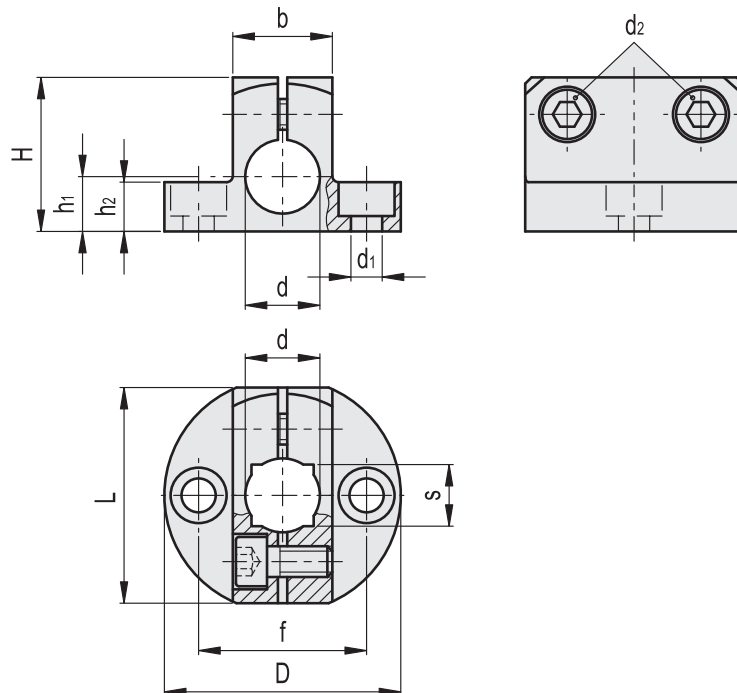
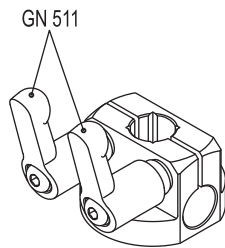
RS Pro round tube base clamp is made of aluminium and available in a range of sizes to fit different diameters of connecting tube. This base clamp provides a high clamping force and can be adjusted easily.

Features and Benefits

- Fixing holes allow for matching and fixing to MSM-I connecting clamps
- Screws can be replaced with the clamping kit
- Provides a high clamping force and can be adjusted easily

Specifications:

Connector Type	Base Clamp
Fits Tube Diameter	8 mm
Material	Anodised Aluminium
Product Family	Elesa Connecting Clamps
Product System	MSM
Structural Element Type	Round Tube
Colour	Black



MSM-B-ANB

Elesa Standards		Main dimensions											GN 511 clamping kit for d2	ΔΔ
Code	RS Stock Number	d	L	D	H	b	d1	d2	h1	h2	f	s		g
500001	786-5983	8	29	31.5	20	14	M4	M4	7	7	22	-	GN 511-M4-14	23