

# EX-PROOF LED TUBULAR LIGHT FITTING

## SXCL Series



### TECHNICAL INFORMATION

<b>Certification</b>	ATEX and IECEx approvals for Zones 1/2 & 21/22 applications Ex db IIC T6 Gb and Ex tb IIIC T85°C Db IP66 Ingress Protection
<b>Housing</b>	Aluminium alloy housing with anti-corrosion powder coating RAL5002 Ultramarine blue colour Options for glass or polycarbonate diffuser
<b>Electric</b>	Integrated ACIC light engine (AC100V or AC240V options) Power factor >0.93
<b>Lifespan</b>	Ultra-long LED service life of 100,000 hours
<b>Connection</b>	1x 3/4" NPT Ex de cable gland for cables with steel wire, aluminium, braided and tape armour. Supports cable diameter from 11.5mm to 16mm Option for additional second cable gland for emergency power input
<b>Beam Angle</b>	158°
<b>EMC</b>	IEC 60533 electromagnetic compatibility to all maritime vessels and offshore MDUs
<b>Emergency Lighting</b>	Optional emergency type luminaire includes 3hrs battery backup for sustained emergency lighting using secondary LED light source. Maintained and non-maintained modes are supported.

## CERTIFICATIONS

ATEX Directive (2014/34/EU)

INERIS 20ATEX0008X

IECEx INE 20.0007X

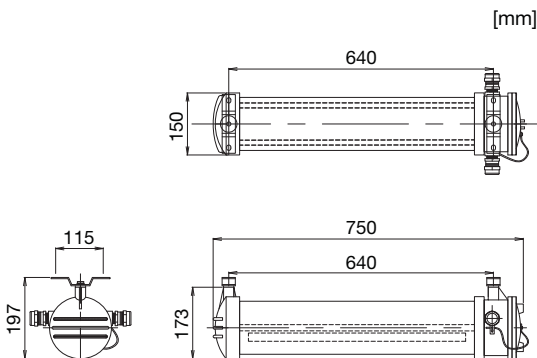
 II 2 GD

Ex db IIC T6 Gb

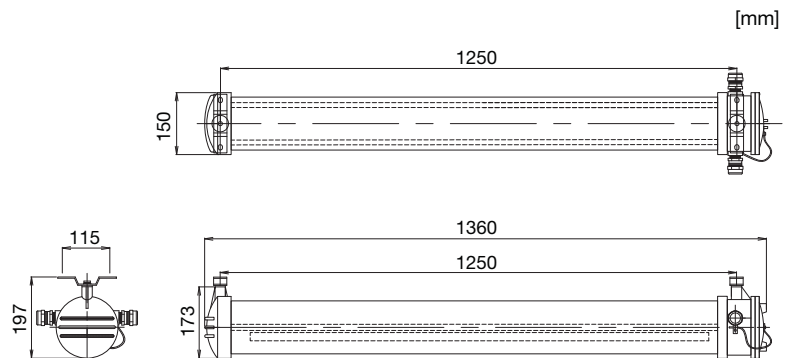
Ex tb IIIC T85°C Db

## MEASUREMENTS


### SXCL2



### SXCL4



Ideal Replacement:

 1 X 20W SXCL21 for 1X20W

 1 X 40W SXCL41 for 1X20W

 2 X 20W SXCL22 for 2X20W

 2 X 40W SXCL42 for 2X20W

## ORDER CODES

Item Code	Type	Diffuser	Main Voltage	Power	CCT	Ambient Temp (Ta)	System Lumen	Weight
CLSXCCL215PA1	SXCL215PA1	Polycarbonate	100V - 120V AC	1x12.5W	5000K	-20°C ~ +45°C	970lm	5.6kg
CLSXCCL225PA1	SXCL225PA1	Polycarbonate	100V - 120V AC	2x12.5W	5000K	-20°C ~ +45°C	1940lm	5.7kg
CLSXCCL415PA1	SXCL415PA1	Polycarbonate	100V - 120V AC	1x24W	5000K	-20°C ~ +40°C	1940lm	8.6 kg
CLSXCCL425PA1	SXCL425PA1	Polycarbonate	100V - 120V AC	2x24W	5000K	-20°C ~ +40°C	3880lm	8.7kg
CLSXCCL215PA2	SXCL215PA2	Polycarbonate	220V - 240V AC	1x12.5W	5000K	-20°C ~ +45°C	970lm	5.6kg
CLSXCCL215PA2B	SXCL215PA2B	Polycarbonate	220V - 240V AC	1x12.5W	5000K	0°C ~ +45°C	970lm	6.6kg
CLSXCCL225PA2	SXCL225PA2	Polycarbonate	220V - 240V AC	2x12.5W	5000K	-20°C ~ +45°C	1940lm	5.7kg
CLSXCCL225PA2B	SXCL225PA2B	Polycarbonate	220V - 240V AC	2x12.5W	5000K	0°C ~ +45°C	1940lm	6.7kg
CLSXCCL415PA2	SXCL415PA2	Polycarbonate	220V - 240V AC	1x24W	5000K	-20°C ~ +40°C	1940lm	8.7kg
CLSXCCL415PA2B	SXCL415PA2B	Polycarbonate	220V - 240V AC	1x24W	5000K	0°C ~ +40°C	1940lm	9.8kg
CLSXCCL425PA2	SXCL425PA2	Polycarbonate	220V - 240V AC	2x24W	5000K	-20°C ~ +40°C	3880lm	8.9kg
CLSXCCL425PA2B	SXCL425PA2B	Polycarbonate	220V - 240V AC	2x24W	5000K	0°C ~ +40°C	3880lm	9.9kg
CLSXCCL215GA1	SXCL215GA1	Glass	100V - 120V AC	1x12.5W	5000K	-20°C ~ +55°C	970lm	8.7kg
CLSXCCL225GA1	SXCL225GA1	Glass	100V - 120V AC	2x12.5W	5000K	-20°C ~ +55°C	1940lm	8.8kg
CLSXCCL415GA1	SXCL415GA1	Glass	100V - 120V AC	1x24W	5000K	-20°C ~ +55°C	1940lm	14.7kg
CLSXCCL425GA1	SXCL425GA1	Glass	100V - 120V AC	2x24W	5000K	-20°C ~ +55°C	3880lm	14.9kg
CLSXCCL215GA2	SXCL215GA2	Glass	220V - 240V AC	1x12.5W	5000K	-20°C ~ +50°C	970lm	8.7kg
CLSXCCL215GA2B	SXCL215GA2B	Glass	220V - 240V AC	1x12.5W	5000K	0°C ~ +50°C	970lm	9.7kg
CLSXCCL225GA2	SXCL225GA2	Glass	220V - 240V AC	2x12.5W	5000K	-20°C ~ +50°C	1940lm	8.8kg
CLSXCCL225GA2B	SXCL225GA2B	Glass	220V - 240V AC	2x12.5W	5000K	0°C ~ +50°C	1940lm	9.8kg
CLSXCCL415GA2	SXCL415GA2	Glass	220V - 240V AC	1x24W	5000K	-20°C ~ +55°C	1940lm	14.7kg
CLSXCCL415GA2B	SXCL415GA2B	Glass	220V - 240V AC	1x24W	5000K	0°C ~ +55°C	1940lm	15.8kg
CLSXCCL425GA2	SXCL425GA2	Glass	220V - 240V AC	2x24W	5000K	-20°C ~ +55°C	3880lm	14.9kg
CLSXCCL425GA2B	SXCL425GA2B	Glass	220V - 240V AC	2x24W	5000K	0°C ~ +55°C	3880lm	15.9kg

\*Type number ending with "B" denotes emergency type luminaire with 3hr battery backup for sustained emergency lighting.

Maintained emergency lighting is also supported when luminaire is connected to both normal mains and emergency power supplies.