

Automotive Fuse Bolt-Down

multicomp PRO

Description

These EV fuses are specially engineered and tested to provide best-in-class protection performance in protecting high power battery charging and managing systems of Electrical Vehicles and Hybrid Electrical Vehicles, up to 70V DC in ratings from 10A to 500A.

**RoHS
Compliant**

Applications

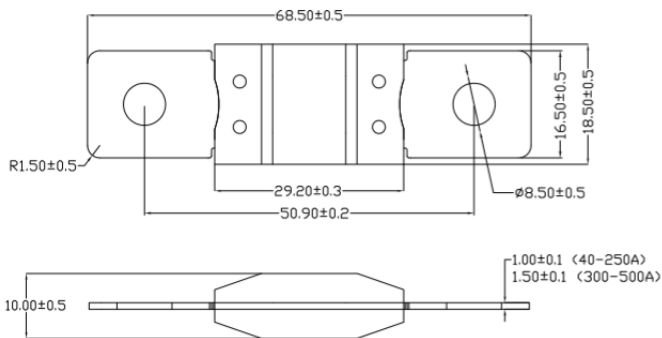
Charging protection
BMS Protection

Features

- 70V DC automotive fuse
- Rated Current: 10A to 500A
- Operating Temperature: -40°C to 125°C
- Rated Breaking Capacity: 2.5kA at 70V DC
- Bolt Size: M8
- Torque: 12N·m



Diagram



Dimensions : Millimetres

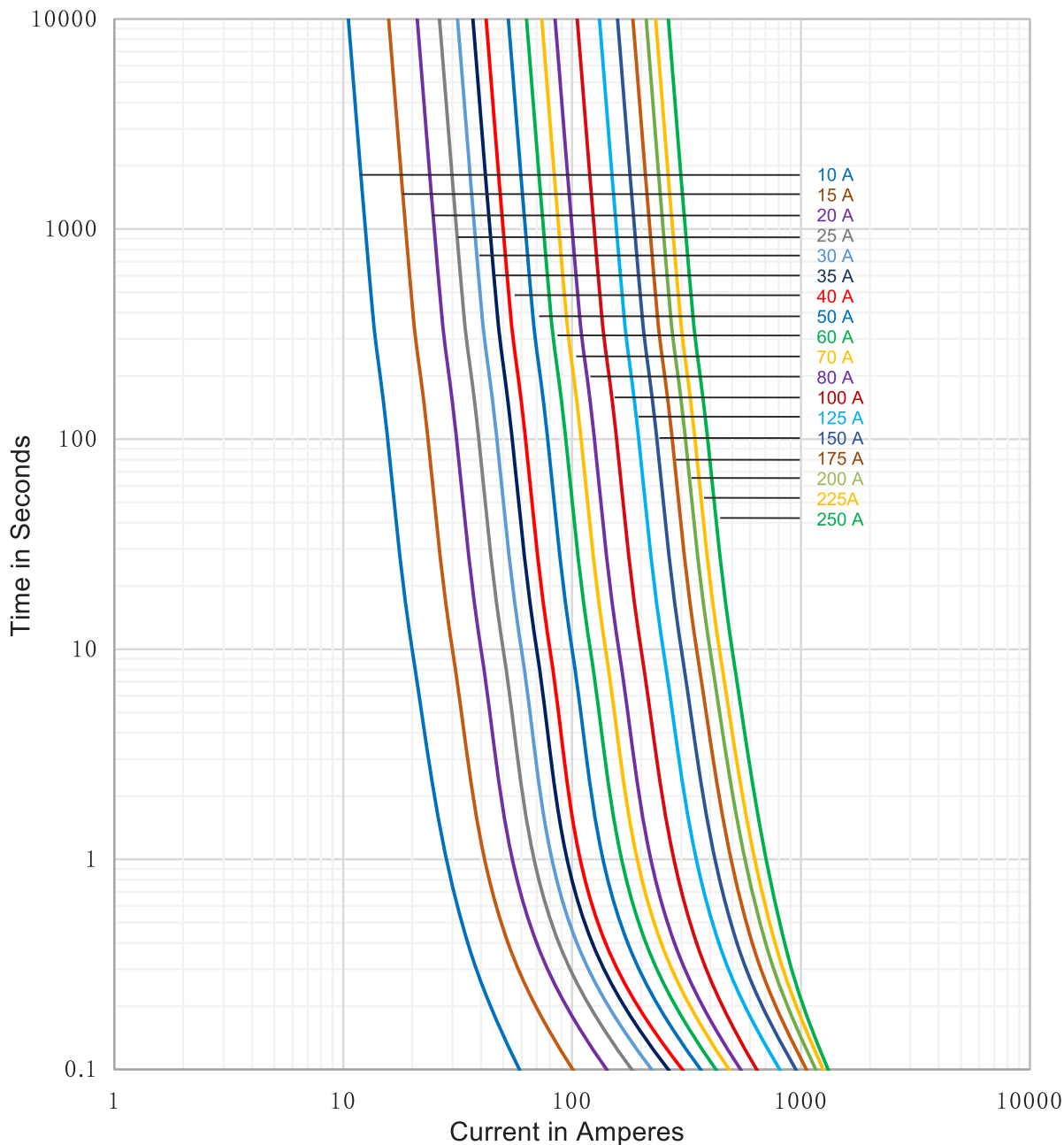
Part Number	Rated Current	Ampere Code	Rated Voltage	Breaking Capacity	Voltage Drop Max.(mV)	I2t (A2s)		Certifications	
						Pre-Arcing	Total	cURus	TUV
MP011370	50A	2500	70V DC	2.5kA@70V DC	135	11875	12500	•	•
MP011371	60A	2600				17100	18000		
MP011372	80A	2800				30400	32000		
MP011373	100A	3100			110	47500	50000		
MP011374	125A	3125				74219	78125		
MP011375	175A	3175				145469	153125		
MP011376	200A	3200				190000	200000		
MP011377	250A	3250				296875	312500		
MP011378	300A	3300				427500	450000		
MP011379	350A	3350			80	781250	800000		
MP011380	400A	3400				1120000	1200000		
MP011381	500A	3500				1750000	1875000		

Newark.com/multicomp-pro
Farnell.com/multicomp-pro
sg.element14.com/b/multicomp-pro

multicomp PRO

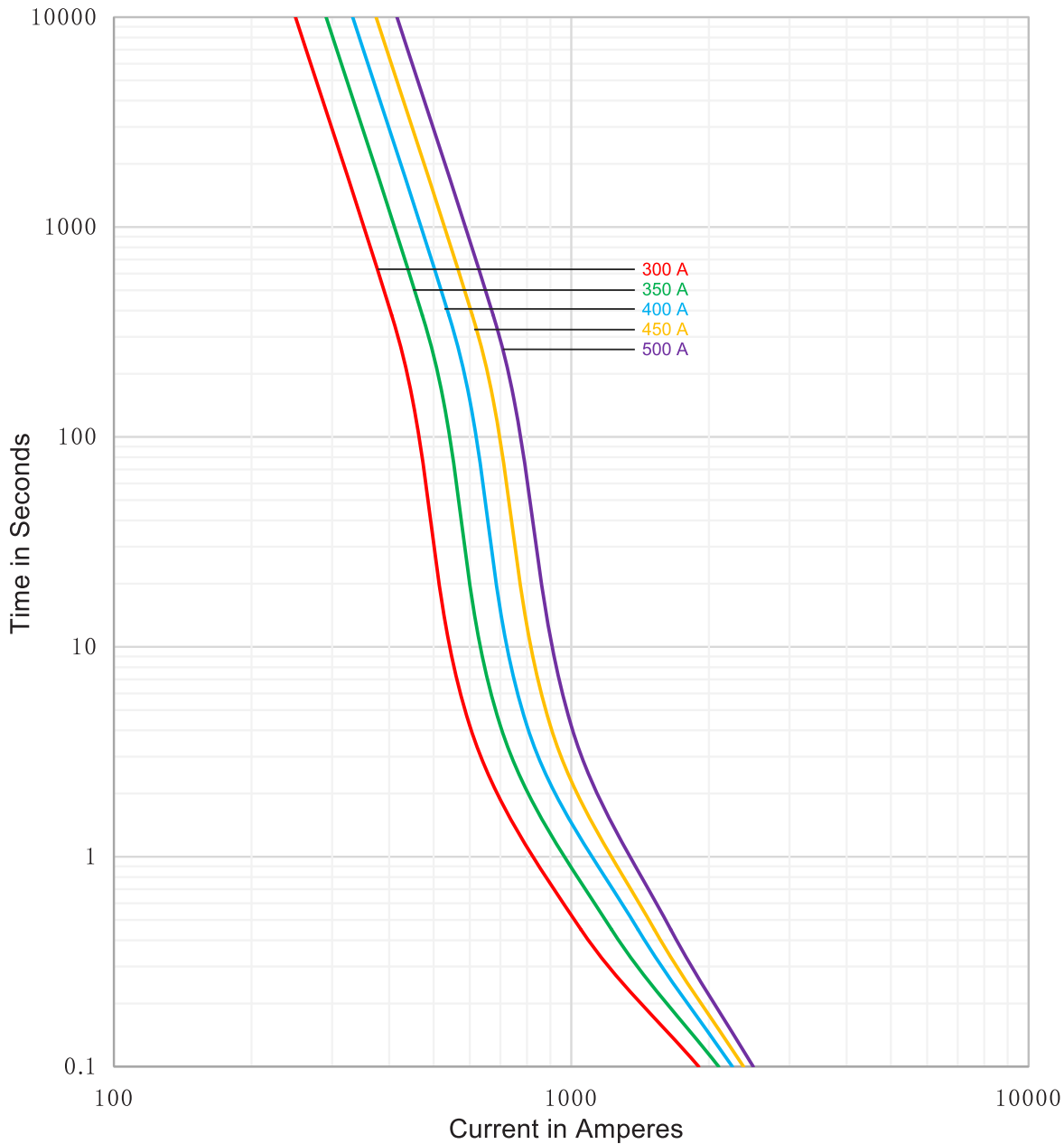
Automotive Fuse Bolt-Down

Time Current Curve: 10-250 A



Automotive Fuse Bolt-Down

Time Current Curve: 300-500 A



Automotive Fuse Bolt-Down

multicomp PRO

Part Number Table

Description	Part Number
Automotive Fuse, EV, 70V DC, 50A, M8 Bolt	MP011370
Automotive Fuse, EV, 70V DC, 60A, M8 Bolt	MP011371
Automotive Fuse, EV, 70V DC, 80A, M8 Bolt	MP011372
Automotive Fuse, EV, 70V DC, 100A, M8 Bolt	MP011373
Automotive Fuse, EV, 70V DC, 125A, M8 Bolt	MP011374
Automotive Fuse, EV, 70V DC, 175A, M8 Bolt	MP011375
Automotive Fuse, EV, 70V DC, 200A, M8 Bolt	MP011376
Automotive Fuse, EV, 70V DC, 250A, M8 Bolt	MP011377
Automotive Fuse, EV, 70V DC, 300A, M8 Bolt	MP011378
Automotive Fuse, EV, 70V DC, 350A, M8 Bolt	MP011379
Automotive Fuse, EV, 70V DC, 400A, M8 Bolt	MP011380
Automotive Fuse, EV, 70V DC, 500A, M8 Bolt	MP011381

Important Notice : This data sheet and its contents (the "Information") belong to the members of the AVNET group of companies (the "Group") or are licensed to it. No licence is granted for the use of it other than for information purposes in connection with the products to which it relates. No licence of any intellectual property rights is granted. The Information is subject to change without notice and replaces all data sheets previously supplied. The Information supplied is believed to be accurate but the Group assumes no responsibility for its accuracy or completeness, any error in or omission from it or for any use made of it. Users of this data sheet should check for themselves the Information and the suitability of the products for their purpose and not make any assumptions based on information included or omitted. Liability for loss or damage resulting from any reliance on the Information or use of it (including liability resulting from negligence or where the Group was aware of the possibility of such loss or damage arising) is excluded. This will not operate to limit or restrict the Group's liability for death or personal injury resulting from its negligence. Multicomp Pro is the registered trademark of Premier Farnell Limited 2019.

Newark.com/multicomp-pro
Farnell.com/multicomp-pro
sg.element14.com/b/multicomp-pro

multicomp PRO