

För icke direkt toleranssatta mått gäller toleransklass
General tolerances if not otherwise stated



NOM DIM MM		TOL CLASS		
From	To	A	B	C
(1)	6	±0.05	±0.1	±0.2
(6)	30	±0.1	±0.2	±0.5
(30)	100	±0.15	±0.3	±0.8
(100)	300	±0.2	±0.5	±1.2
(300)	1000	±0.3	±0.8	±2

Hål / Holes H13

Skarpa kanter brutna där ej annat anges.
No sharp edges unless otherwise specified.

Övriga generella toleranser enligt ritning 4100-4644.
Additional general tolerances in accordance with drawing 4100-4644.

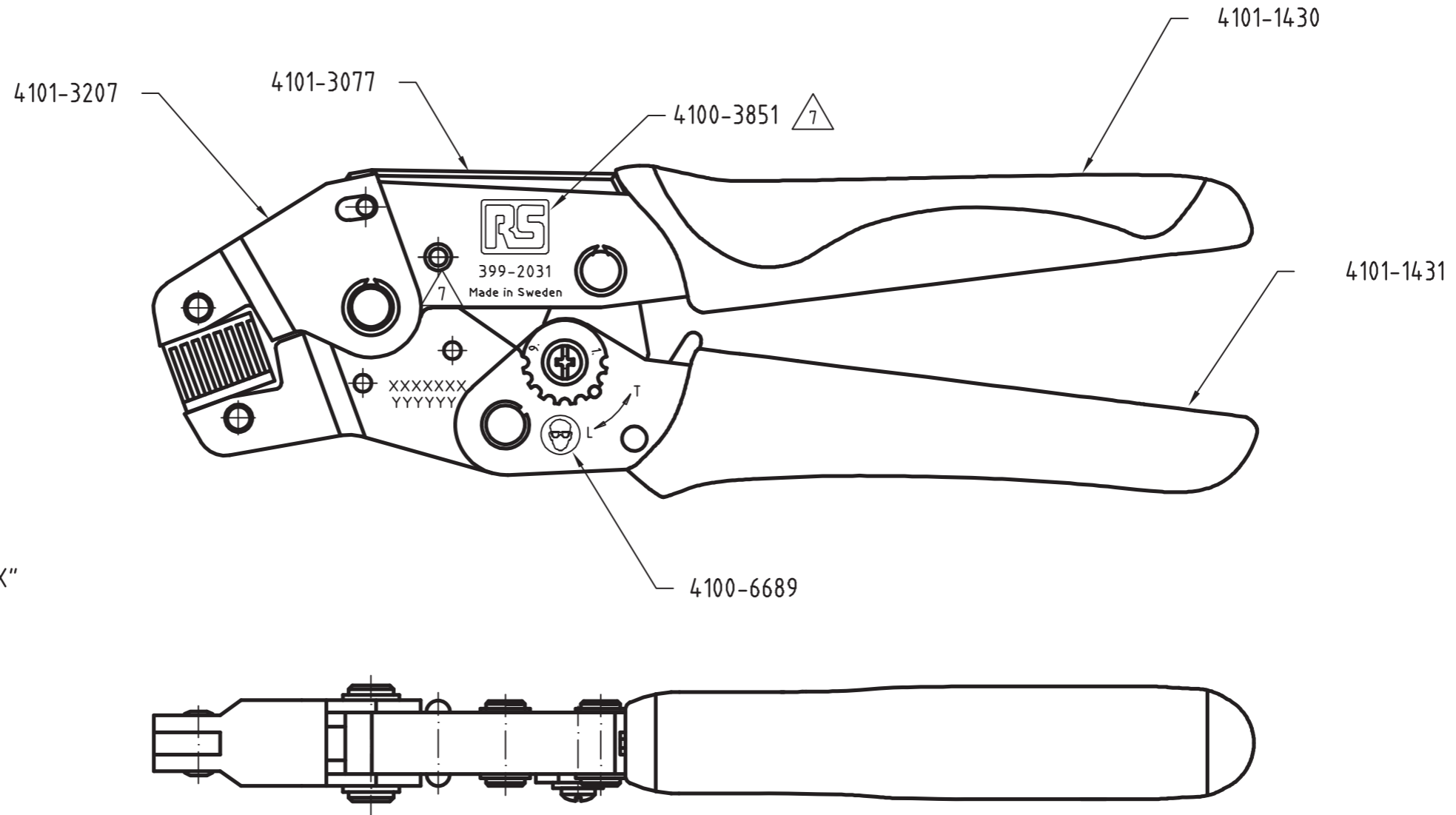
LASERMÄRKNING/LASER MARKING:

FONT: GEN-ISO

Datumkod / Date code "YYYYYY"

Serienummer / Serial number "XXXXXXX"

Rev	Change order	Change: A = Added W = Was D = Deleted	Date	Sign
7	P2716	4100-3851 W 4101-3332, D 4101-2906 399-2031 W RS 399-2031	091102	SE



- 4101-2611
 - 4101-3335
 - 4101-1610
 - 4101-2615
- placering position B

Packas enligt förpackningsritning 4101-2723
Packed according to drawing 4101-2723



Material		Behandling/Treatment			Status	
Konstr./Design JOM	Ritad/Drawn SE	Datum/Date 2009-11-02	Skala/Scale 1:1	Kontr./Checked MAHA	Godk./Approved NE	Ämne/Blank Frisläppt
Benämning/Denomination KRIMPTÅNG 399-2031 CRIMPING TOOL RS				Vikt/Weight, gram 43002810		Art grp 012
				Ritn nr/Drawing no 43002810		REV 007