



ENGLISH

Datasheet

RS Pro Carbide PCB Drill Bit 1mm

RS Stock No: **457-655**



Product Details

RS Pro tungsten carbide drill bit has a diameter of 1 mm. The miniature solid drill bit has a shoulder shank for easy handling. This drill bit is suitable for PCB drilling and provides clean hole on multi layer PCB boards or standard circuit boards.

Features and Benefits

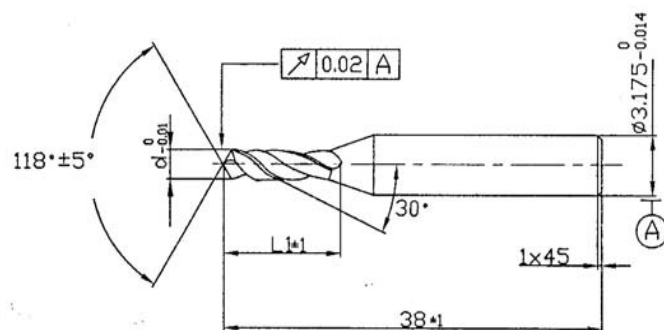
- Tungsten carbide
- Diameter of 1 mm
- Shoulder shank for easy handling
- Suitable for PCB drilling
- Provides clean hole on multi layer PCB boards or standard circuit boards



ENGLISH

Specifications:

Diameter	1 mm
Material	Carbide
Flute Length	10.5 mm
Overall Length	38 mm
Shank Diameter	3.175 mm



RS STOCK NUMBER	MANUFACTURE PART NO.	DESCRIPTION	DIA.(d)mm	TOLERENC E(mm)	OVERALL LENGTH(mm)	FLUTE LENGTH(L1)m m
457594	TM200-0050	Tungsten drill bit 0.5mm	0.5	-0.01	38±1	4.8±1
457645	TM200-0060	Tungsten drill bit 0.6mm	0.6	-0.01	38±1	6.5±1
457649	TM200-0070	Tungsten drill bit 0.7mm	0.7	-0.01	38±1	8.5±1
457633	TM200-0080	Tugsten drill bit0.8mm	0.8	-0.01	38±1	9.5±1
457639	TM200-0090	Tungsten drill bit 0.9mm	0.9	-0.01	38±1	9.5±1
457655	TM200-0100	Tungsten drill bit 1.0mm	1.0	-0.01	38±1	10.5±1
457623	TM200-0110	Tungsten drill bit 1.1mm	1.1	-0.01	38±1	10.5±1
457673	TM200-0120	Tungseten drill bit 1.2mm	1.2	-0.01	38±1	10.5±1
457677	TM200-0130	Tungsten drill bit 1.3mm	1.3	-0.01	38±1	10.5±1
457667	TM200-0140	Tungsten drill bit 1.4mm	1.4	-0.01	38±1	10.5±1
457661	TM200-0150	Tungsten drill bit 1.5mm	1.5	-0.01	38±1	10.5±1

Remarks:

- Material: Tungsten carbide
- Shank Dia.: 1/8"