



ENGLISH

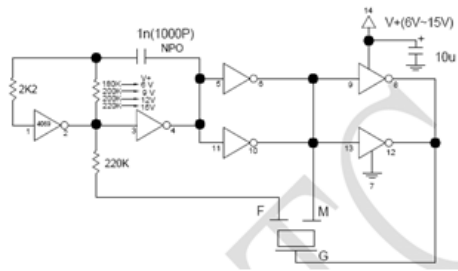
1881768 PIEZO TRANSDUCER WITH FEEDBACK LEAD

SOUNDERS & BUZZERS

Specifications

Rated voltage (VDC)	12VDC
Operating voltage	6~16VDC
Rated current at rated voltage	≤30mA
Sound output at 2400Hz at 10cm	≥105dB
Resonant frequency	3250 ± 500Hz
Operating temperature	-40~+85°C
Storage temperature	-40~+85°C
Weight	6.6g
Tone	Single

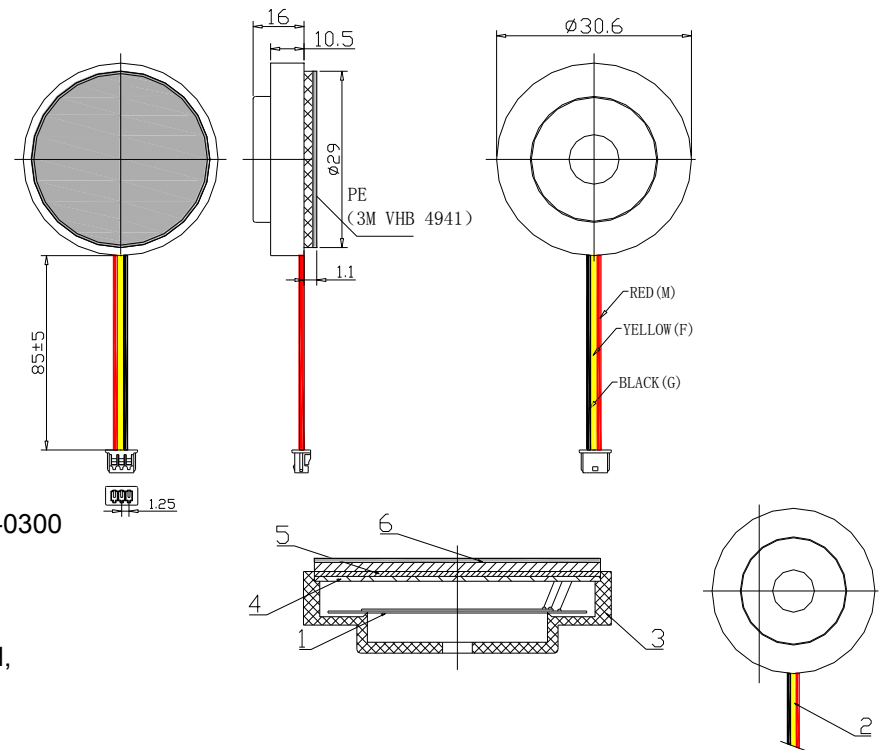
1881768



Standard Test Circuit

Connector:
Molex:51021-0300
equivalent

Unless otherwise specified,
tolerance:±0.5(unit:mm)



- Features**
- ROHS compliant
 - Wave solder & wash not allowed
 - All data at 25°C unless otherwise specified
 - Supplied with adhesive tape and connector

No.	Part Name	Qty	Material
6	Double sided foam	1	PE (3M VHB 4941)
5	Cover	1	BLACK ABS777D
4	PCB	1	Epoxy Board
3	Housing	1	BLACK ABS777D
2	Lead wire	3	UL1571 AWG28 (Red, Yellow & Black)
1	Piezo element	1	Stainless steel